



Precision Metal Mfg LLC

Acknowledgment

Sold TURN PACK
To: 22425 S Scotland CT Suite 104
Queen creek, AZ 85142
United States

Ship TURN PACK
To: 22425 S Scotland CT Suite 104
Queen creek, AZ 85142

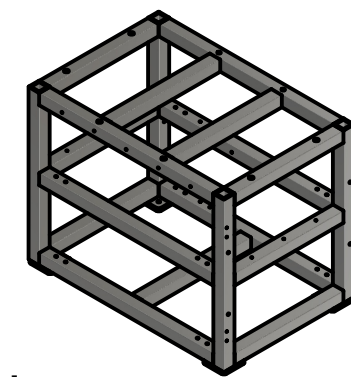
Order Number:	13744	PO Number:	PO26141696
Date Entered:	04/09/2026	Ship Via:	
Customer:	TURN PACK	Salesman:	Michael Stimens
Phone:	(480) 276-2897	Terms:	Cash On Delivery
FAX:		Contact:	Brandon Benavidez
FOB:			

* PMM MAY ASK FOR 35% OF THE PO COST UP FRONT TO HELP COVER MATERIAL ACQUISITION *
** THIS QUOTE DOES NOT INCLUDE TAXES OR SHIPPING.**

<u>Item</u>	<u>Quantity</u>	<u>Description</u>	<u>Revision</u>	<u>Unit Price</u>	<u>Amount</u>
1	1	TP-26-0408-01 - FRAME ASSEMBLY WELD (CUSTOMER PROVIDES MATERIAL)		\$434.32 / EA	\$434.32
		Release Date(s): 1 by 04/14/2026			

Order Total: \$434.32

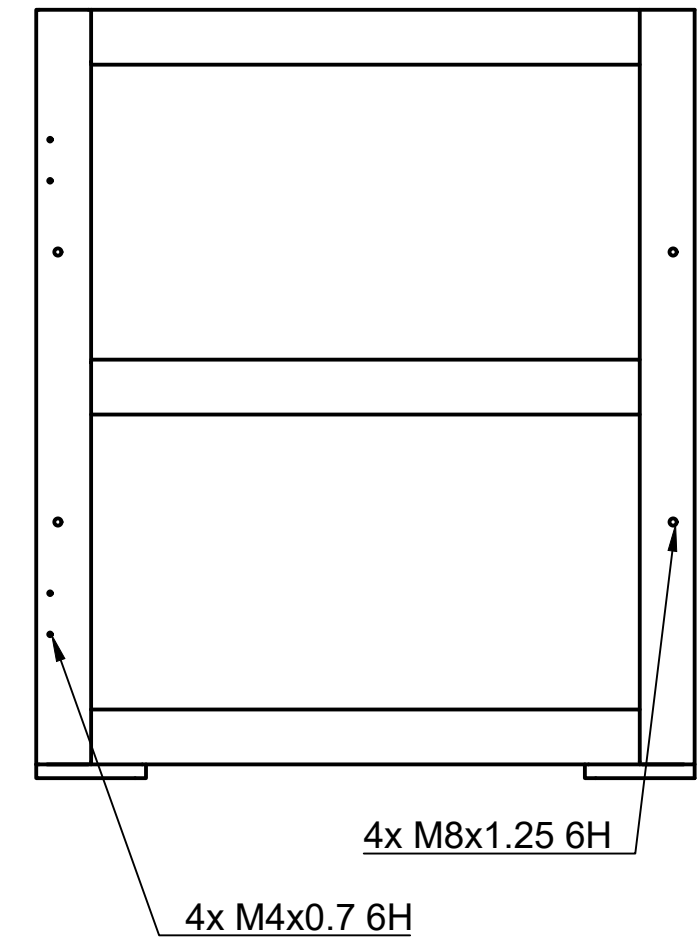
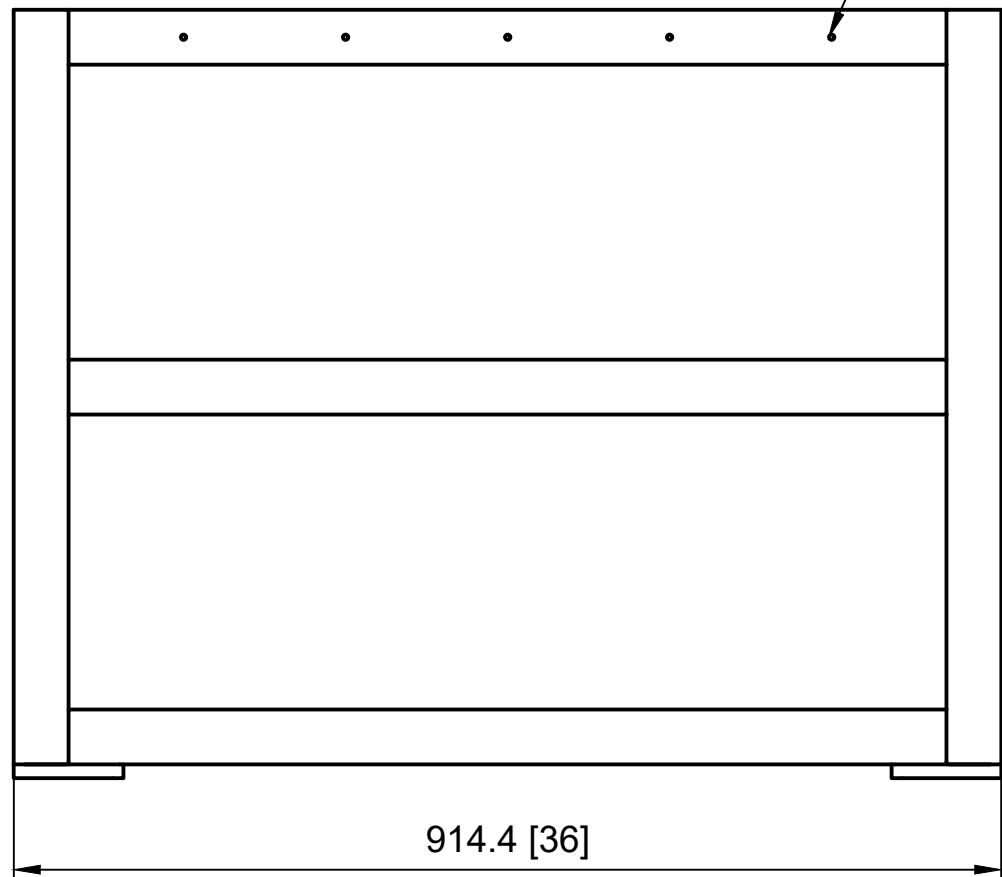
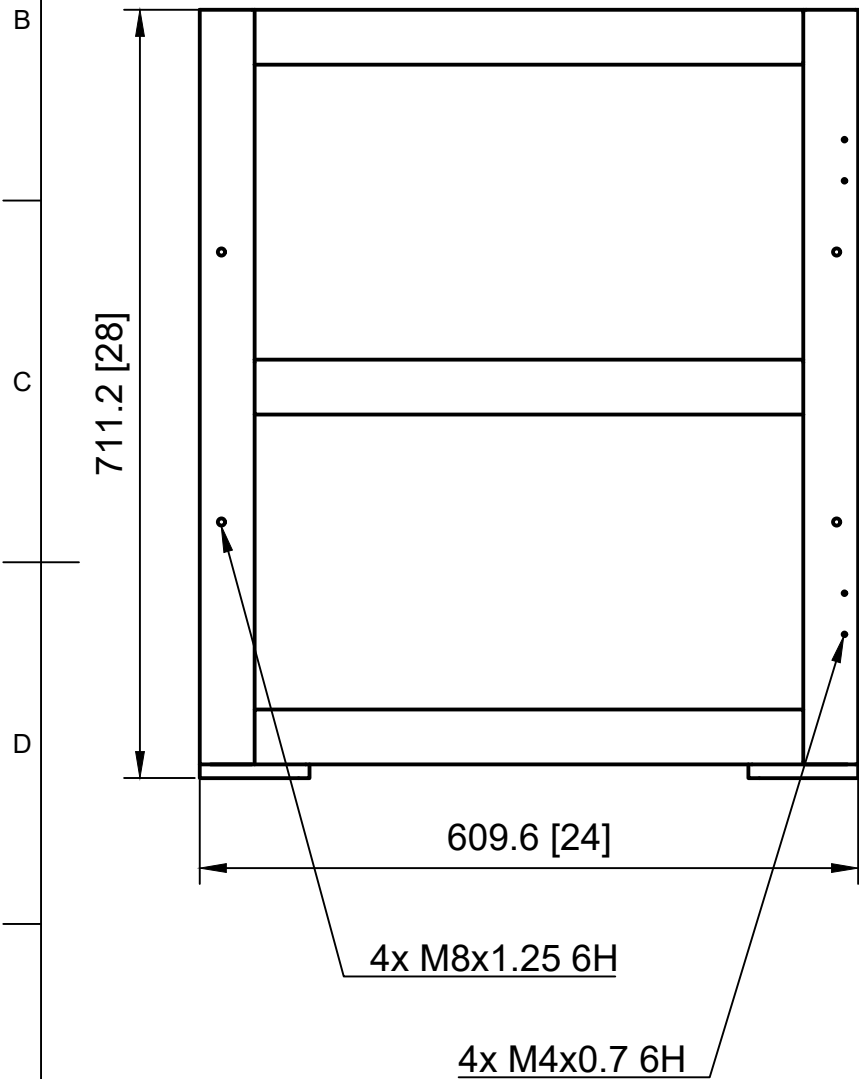
Authorized Signature
Precision Metal Mfg LLC



Left Side

Front Side

Right Side



Tolerances: Decimal: ± 0.127 [0.005] Angular: ± 0.1 Break ALL Edges Max Roughness: 3.2 microns	Dept. ENG	Technical reference	Created by Brandon B 3/26/2026	
	Units: mm [in]	Material: 2" x 2" Steel Tubing	Approved by	
Finish: Black Powder Coat			DWG No.	Rev. Weight Sheet 1/4

A A

B B

C C

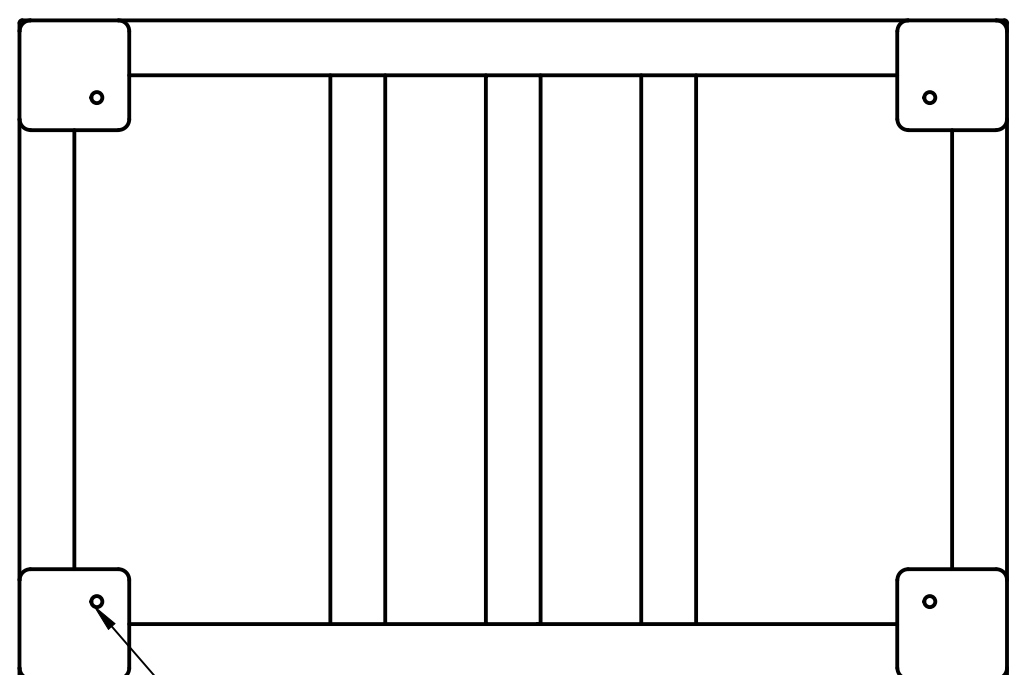
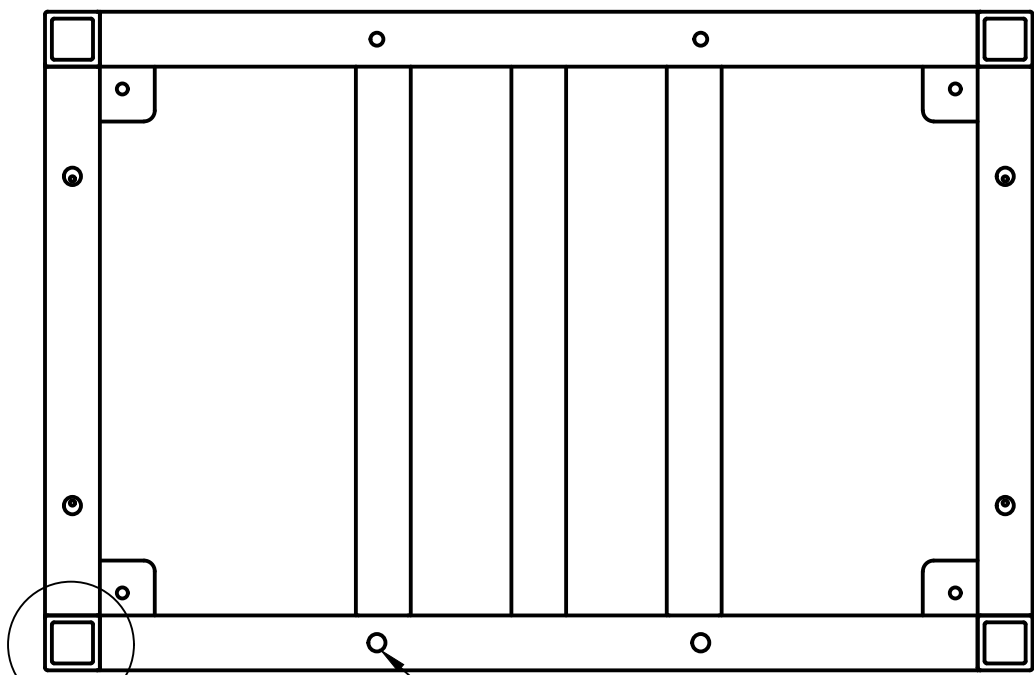
D D

E E

F F

Top Side

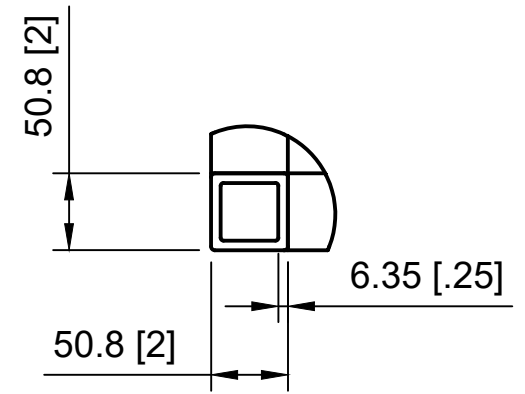
Bottom Side



A 8x Ø16 ∇50.8

4x M12x1.75 ∇12.7

A (1:5)




Tolerances: Decimal: ± 0.127 [0.005] Angular: ± 0.1 Break ALL Edges Max Roughness: 3.2 microns	Dept. ENG	Technical reference	Created by Brandon B 3/26/2026	
	Units: mm [in]		Approved by	
Material: 2" x 2" Steel Tubing			Title Frame Assembly_JJ	DWG No.
Finish: Black Powder Coat			Rev.	Weight
			Sheet 2/4	Page 2 of 4

Back Side



4x Welded flush to outer edges,
all four corners

Tolerances: Decimal: ± 0.127 [0.005] Angular: ± 0.1 Break ALL Edges Max Roughness: 3.2 microns	Dept. ENG	Technical reference	Created by Brandon B 3/26/2026	
	Units: mm [in]		Approved by	
	Material: 2" x 2" Steel Tubing		Title Frame Assembly_JJ	
Finish: Black Powder Coat		Rev.	Weight	Sheet 3/4

