

CONSTRUCTION DOCUMENTATION

Design Title : 26359M1 Turnpack
Revision Level : Simple Side Module Enclosure
Approved by :
Designer :
Company :
Address :
E-Mail :
Phone :
Date : 2026-05-26



After Reviewing PDF Drawing, Sign/Date and return to Flodraulic Group when Purchase order is placed.
Orders will not be processed without approval.

Name: _____ Date: _____

IMPORTANT: All purchases are governed by the legal contract available at www.Flodraulicgroup.com/terms (the "Terms"). Buyer agrees that, by submitting a purchase order to Flodraulic Group Inc. or its affiliates ("Flodraulic") or receiving products and services from Flodraulic, Buyer has reviewed and agreed to the terms in the relevant quotation and Flodraulic's Terms which together form a binding contract between Flodraulic and Buyer. The Terms are incorporated herein by reference and this quotation or Flodraulic's acceptance of this order is expressly limited to, and expressly made conditional on, Buyer's acceptance of the Terms.

Acknowledged and Accepted By Buyer: Name: _____ Date: _____

Bill of materials (Number of kits: 1)

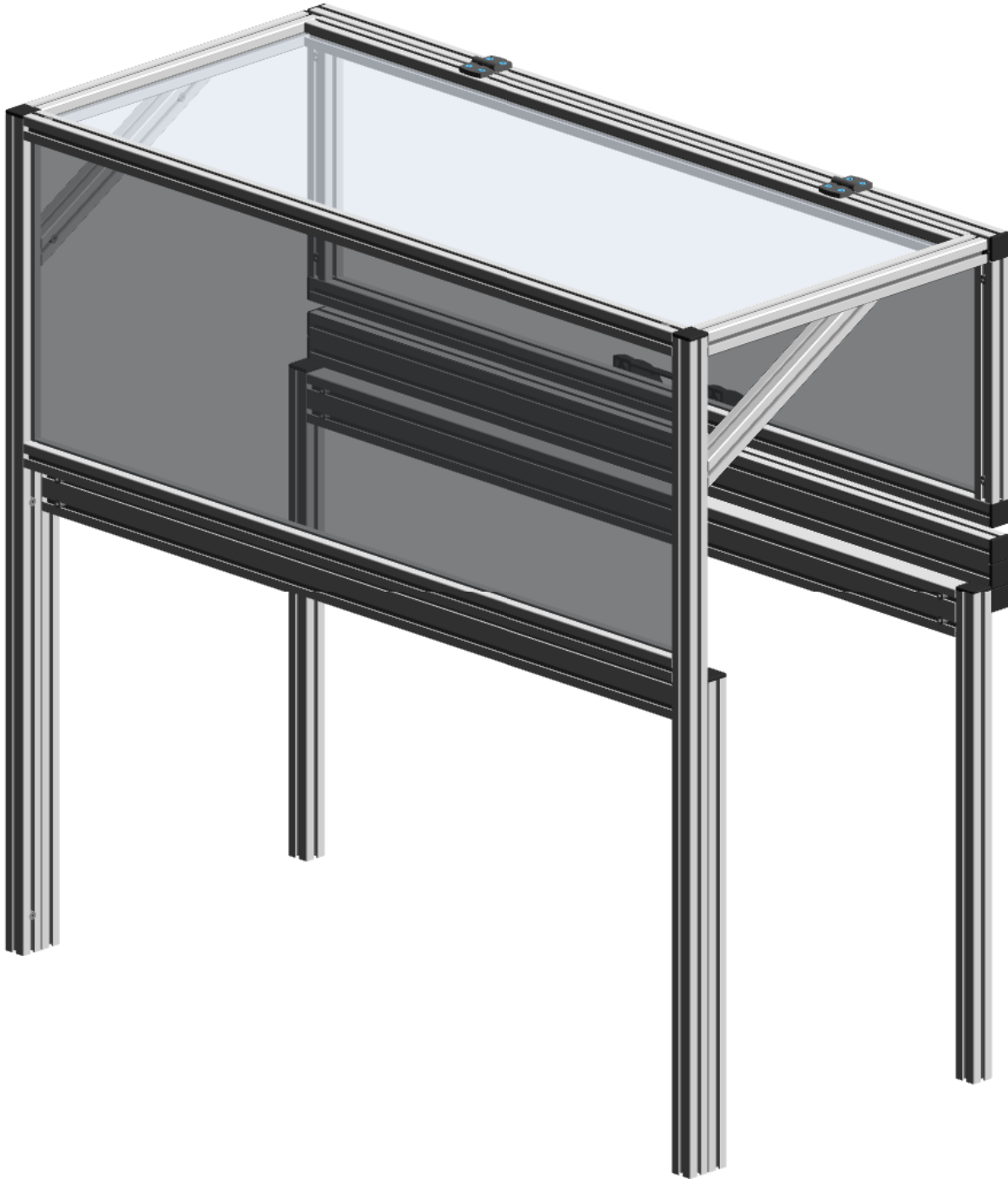
Pos	Article-No	Description	Units	Qty
1	1.11.040040.43LP-EA3EA3/426.2	Profile 40x40, 4E, light, plain Special angle, Right: 60.0°; Special angle, Left: 30.0°; **PER DRAWING 1**	MM	1
2	1.11.040040.43LP-EA1EA1/426.2	Profile 40x40, 4E, light, plain Special angle, Right: 60.0°; Special angle, Left: 30.0°; **PER DRAWING 2**	MM	1
3	1.11.040040.43LP-A00A00/1352	Profile 40x40, 4E, light, plain **PER DRAWING 3**	MM	1
3.A	ZA1/60.0	Parallel-connector distance left: 60.0 mm, anchor on side: 2	EA	1
3.B	ZA1/730.0	Parallel-connector distance left: 730.0 mm, anchor on side: 2	EA	1
4	1.11.040040.43LP-A00A00/1352	Profile 40x40, 4E, light, plain **PER DRAWING 4**	MM	1
4.A	ZA3/60.0	Parallel-connector distance left: 60.0 mm, anchor on side: 2	EA	1
4.B	ZA3/730.0	Parallel-connector distance left: 730.0 mm, anchor on side: 2	EA	1
5	1.11.040040.43LP-AA4AA4/1397	Profile 40x40, 4E, light, plain	MM	1
6	1.11.040040.43LP-AA1AA1/390	Profile 40x40, 4E, light, plain	MM	2
7	1.11.040040.43LP-AA3A00/599	Profile 40x40, 4E, light, plain	MM	2
8	1.11.040040.43LP-AA1AA1/1397	Profile 40x40, 4E, light, plain	MM	2
9	1.11.040040.43LP-A00A00/1465	Profile 40x40, 4E, light, plain	MM	2
10	1.11.040040.43LP-A00A00/790	Profile 40x40, 4E, light, plain	MM	4
11	1.11.040080.44LBP-FB2FB2/1397	Profile 40x80, 4E, light, B, plain	MM	2
12	1.11.040120.84LP-F00F00/1465	Profile 40x120, 8E, LP **PER DRAWING 5**	MM	1
12.A	ZA1/14.0	Parallel-connector distance left: 14.0 mm, anchor on side: 4	EA	1
12.B	ZA1/114.0	Parallel-connector distance left: 114.0 mm, anchor on side: 4	EA	1
12.C	ZA1/752.5	Parallel-connector distance left: 752.5 mm, anchor on side: 4	EA	1
12.D	ZA1/1351.0	Parallel-connector distance left: 1351.0 mm, anchor on side: 4	EA	1
12.E	ZA1/1451.0	Parallel-connector distance left: 1451.0 mm, anchor on side: 4	EA	1
13	1.41.E346.1	Combination profile PP, E, 4.5 - 6, grey (bar 2.5 m)	EA	5
17	1.42.20404.2	Cover cap 40x40, dia: 12, black	EA	18
18	1.61.26240	Handle PA, 240, with bore	EA	1
19	0.63.D07991.06014	Flat head screw, DIN 7991 - M6x14	EA	8
20	1.21.4E0	Connector, universal	EA	20
21	1.21.4E5	Connector, parallel-square	EA	9
22	1.21.4EK1	Connector, oblique-hinge l. + r.	EA	4
23	1.32.4EM6	T-Nut for subsequent insertion, w. spring E, M6	EA	8
24	1.62.448.22/22	Hinge 48 fixed, A 22.5	EA	2
		Frame weight:	38.71 kg (85.34 lbs)	
14	2.87.2201-99	Polycarbonat 5,6mm, SIZE: 410.00MM x 1417.00MM **PER DRAWING 6**	SM	1
15	2.87.2201-99	Polycarbonat 5,6mm, SIZE: 508.00MM x 1417.00MM **PER DRAWING 7**	SM	1
16	2.87.2201-99	Polycarbonat 5,6mm, SIZE: 585.00MM x 1417.00MM **PER DRAWING 8**	SM	1

Panels weight: 10.28 kg (22.67 lbs)

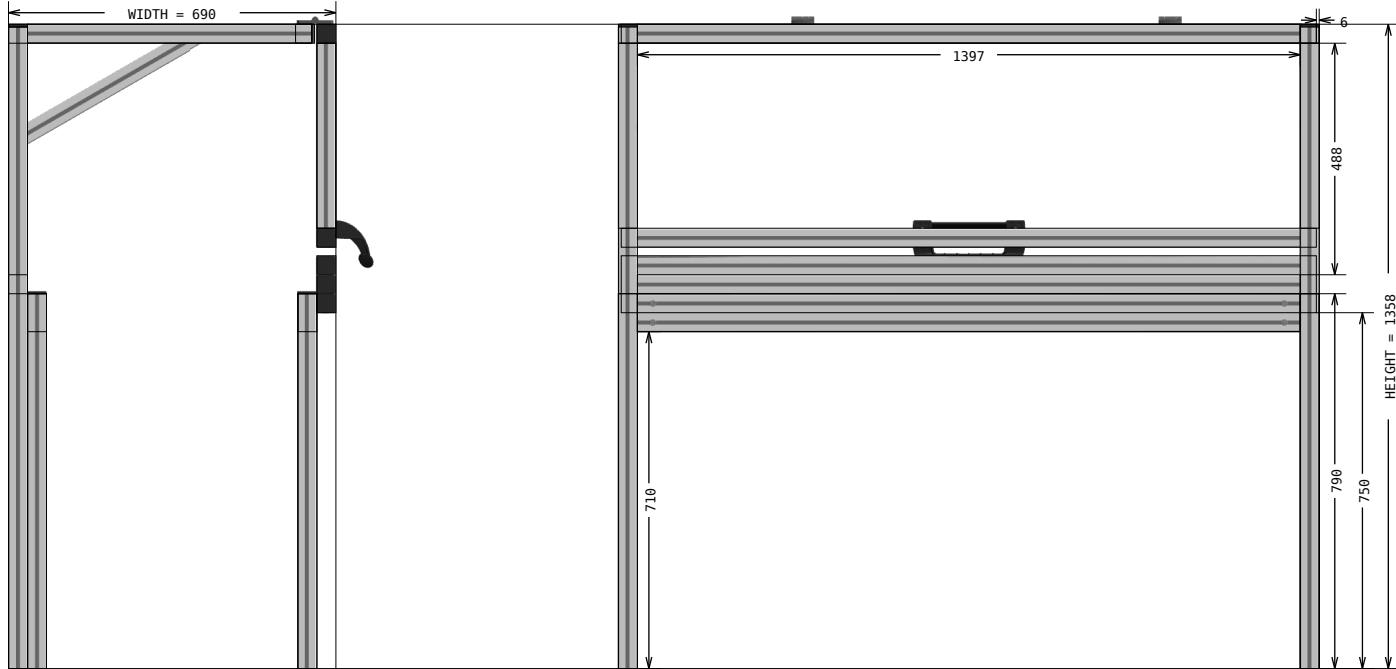
Total Weight: 48.99 kg (108.01 lbs)

Isometric view

Some accessories may not be shown

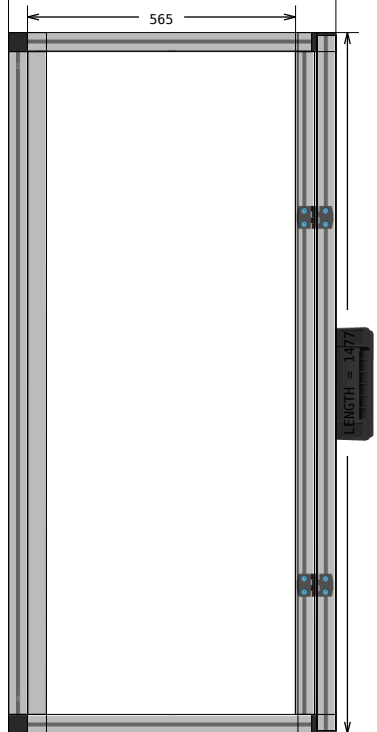


Multiview



FRONT

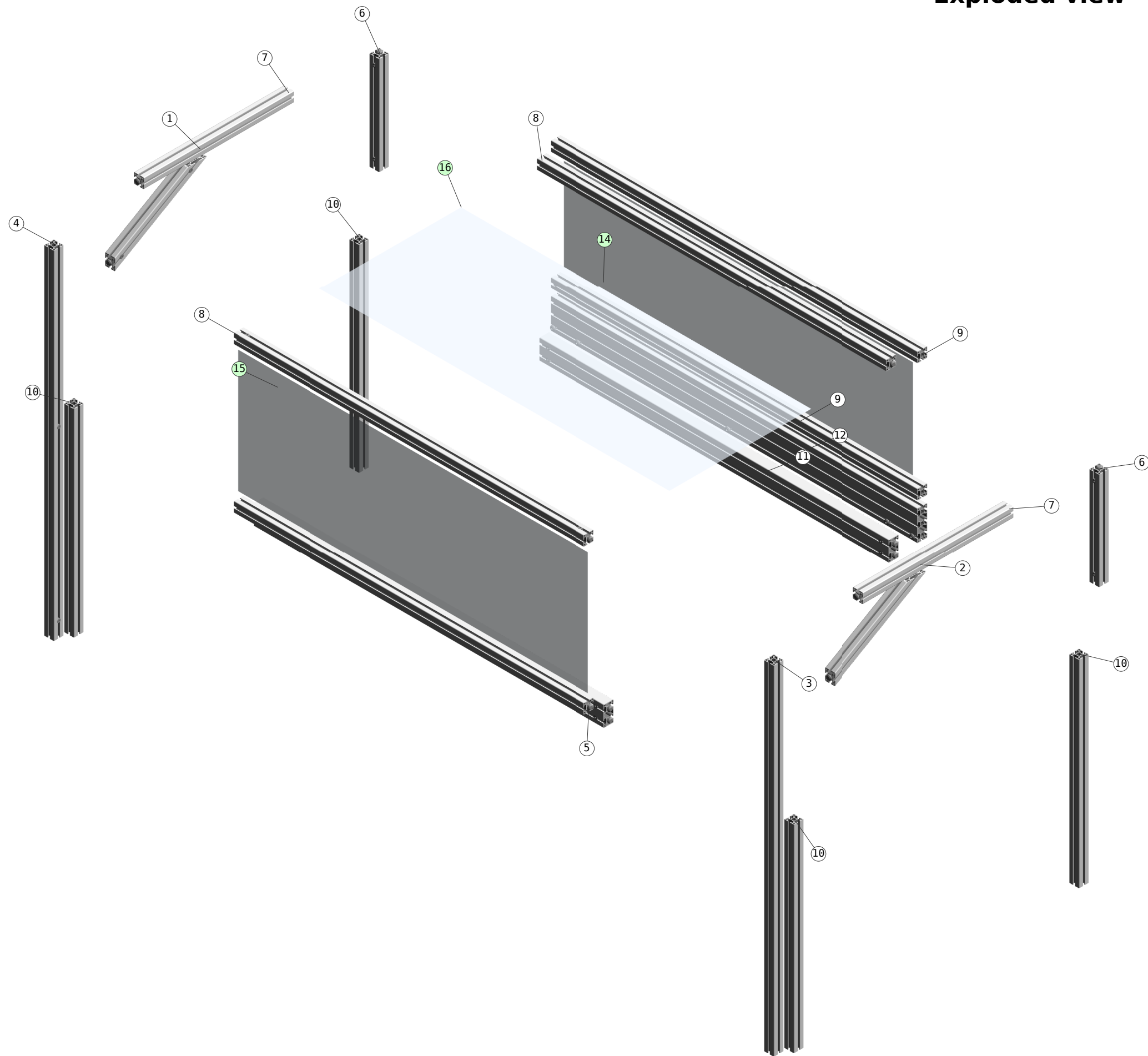
LEFT



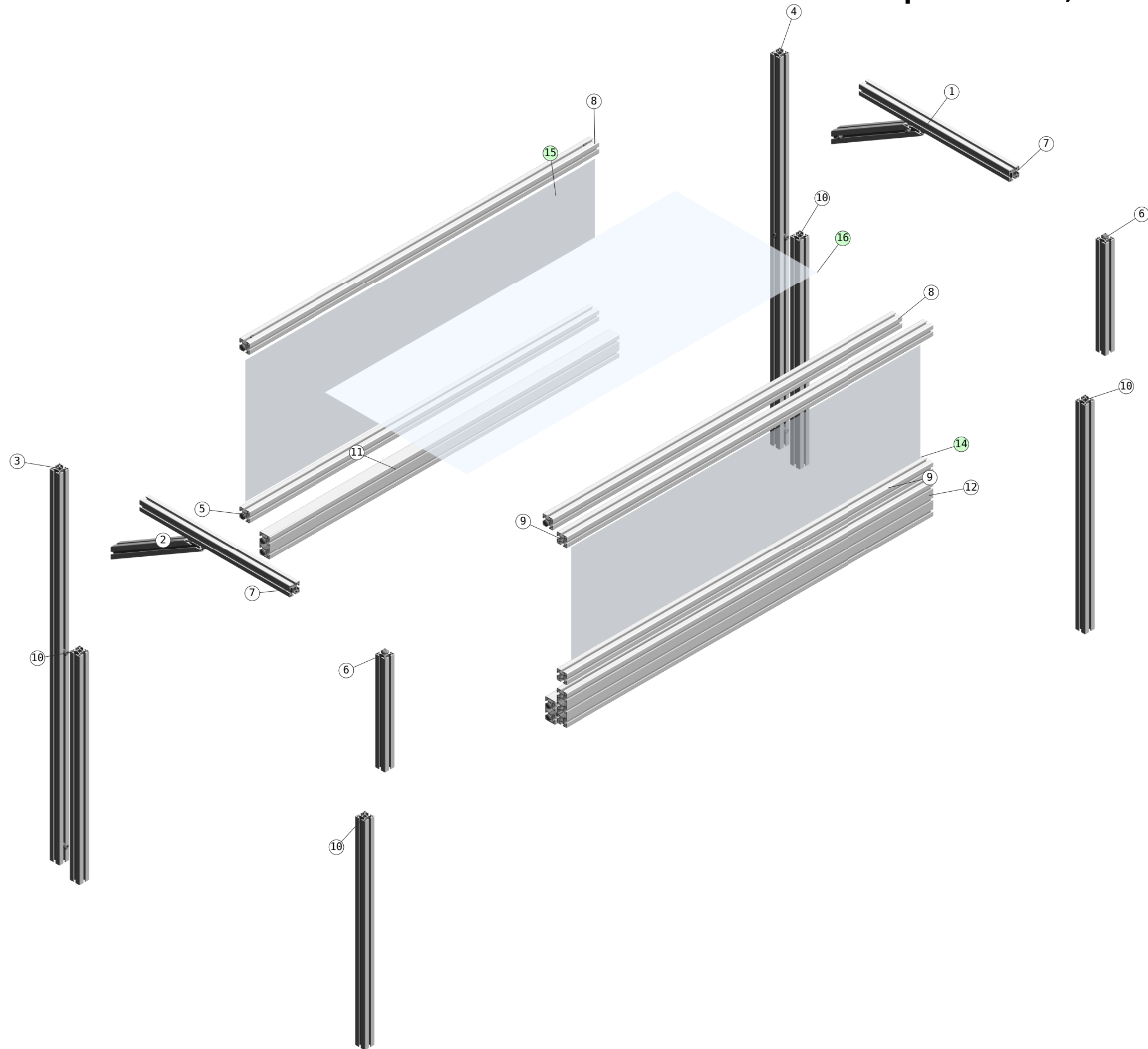
TOP

ISOMETRIC

Exploded view



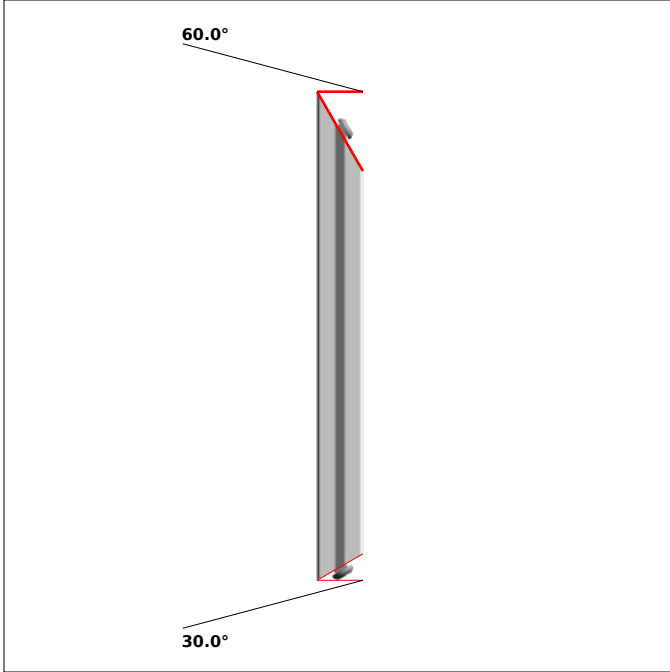
Exploded view, mirrored



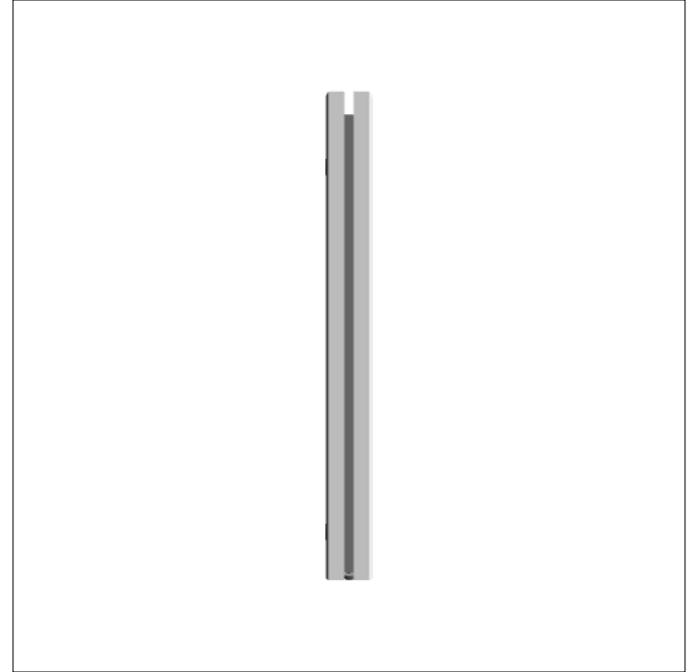
Assembly List

Pos	Article-No	Description	Related parts	Qty
1	1.11.040040.43LP-EA3EA3/426.2	Profile 40x40, 4E, light, plain	1.21.4EK1, Connector, oblique-hinge l. + r.	2
2	1.11.040040.43LP-EA1EA1/426.2	Profile 40x40, 4E, light, plain	1.21.4EK1, Connector, oblique-hinge l. + r.	2
3	1.11.040040.43LP-A00A00/1352	Profile 40x40, 4E, light, plain	1.21.4E5, Connector, parallel-square	2
4	1.11.040040.43LP-A00A00/1352	Profile 40x40, 4E, light, plain	1.21.4E5, Connector, parallel-square	2
5	1.11.040040.43LP-AA4AA4/1397	Profile 40x40, 4E, light, plain	1.21.4E0, Connector, universal	2
6	1.11.040040.43LP-AA1AA1/390	Profile 40x40, 4E, light, plain	1.21.4E0, Connector, universal	4
7	1.11.040040.43LP-AA3A00/599	Profile 40x40, 4E, light, plain	1.21.4E0, Connector, universal	2
8	1.11.040040.43LP-AA1AA1/1397	Profile 40x40, 4E, light, plain	1.21.4E0, Connector, universal	4
11	1.11.040080.44LBP-FB2FB2/1397	Profile 40x80, 4E, light, B, plain	1.21.4E0, Connector, universal	8
12	1.11.040120.84LP-F00F00/1465	Profile 40x120, 8E, LP	1.21.4E5, Connector, parallel-square	5
24	1.62.448.22/22	Hinge 48 fixed, A 22.5	1.32.4EM6, T-Nut for subsequent insertion, w. spring E, M6 0.63.D07991.06014, Flat head screw, DIN 7991 - M6x14	8 8

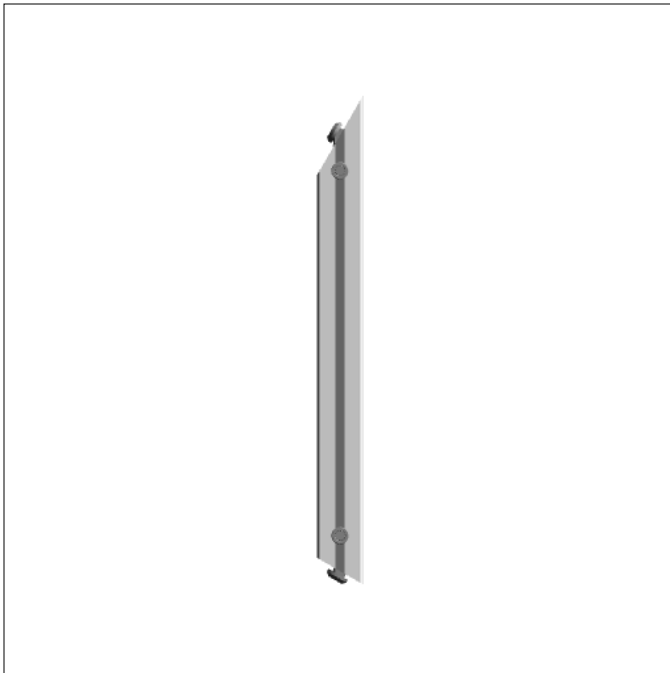
Profile machining details



DRAWING 1, Pos 1
SIDE 1, bar length: 426.2 mm



DRAWING 1, Pos 1
SIDE 2



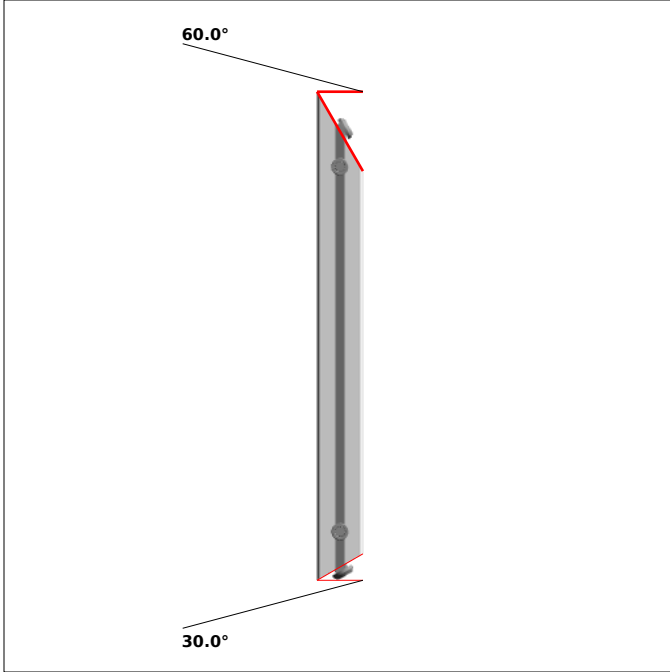
DRAWING 1, Pos 1
SIDE 3



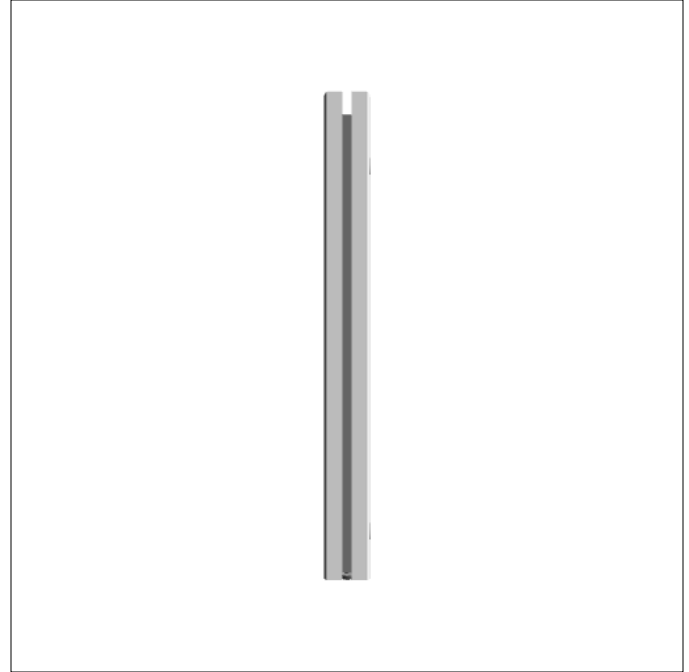
DRAWING 1, Pos 1
SIDE 4

← Profile "left end" is always at the bottom of the drawing. All dimensions are from "left".

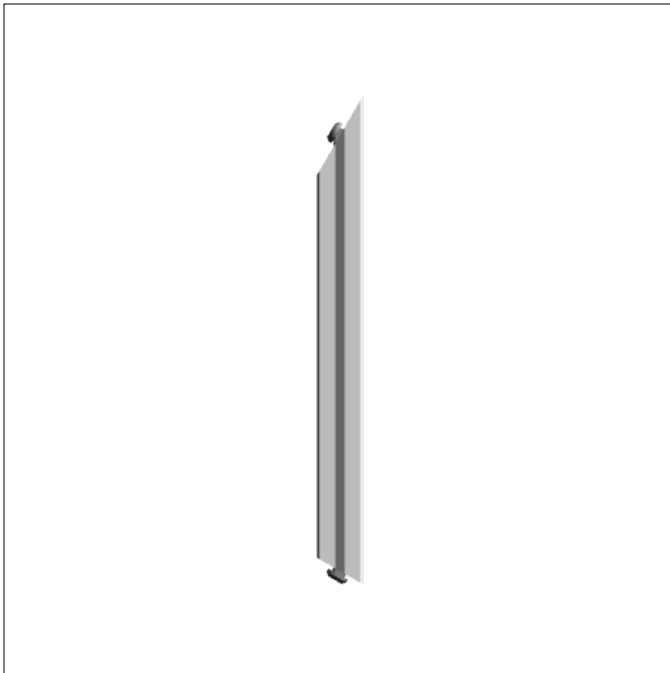
Profile machining details



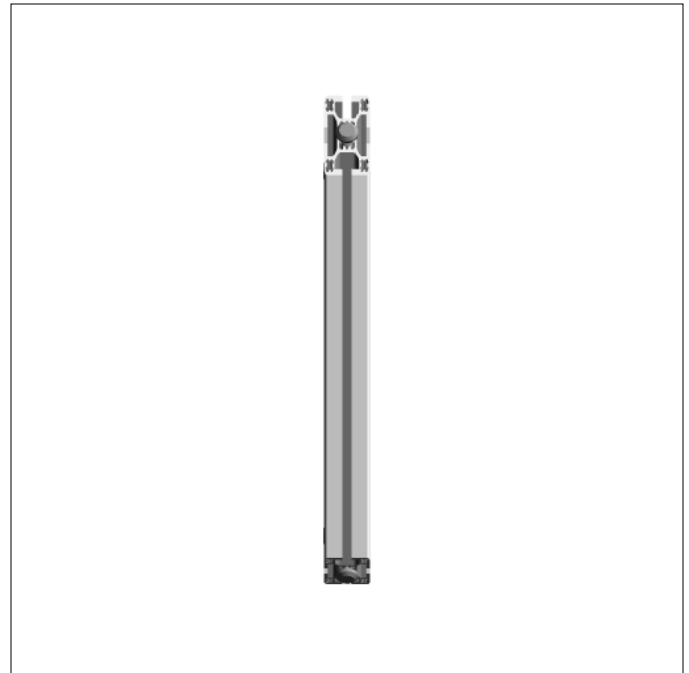
DRAWING 2, Pos 2
SIDE 1, bar length: 426.2 mm



DRAWING 2, Pos 2
SIDE 2



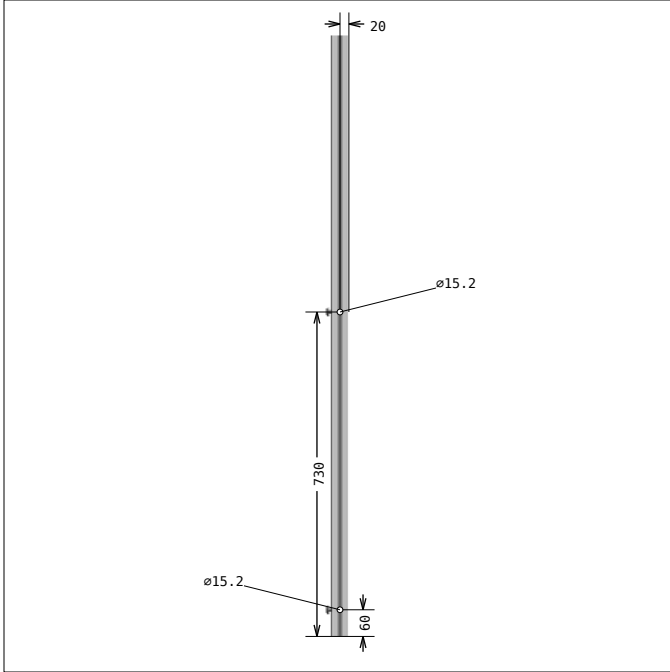
DRAWING 2, Pos 2
SIDE 3



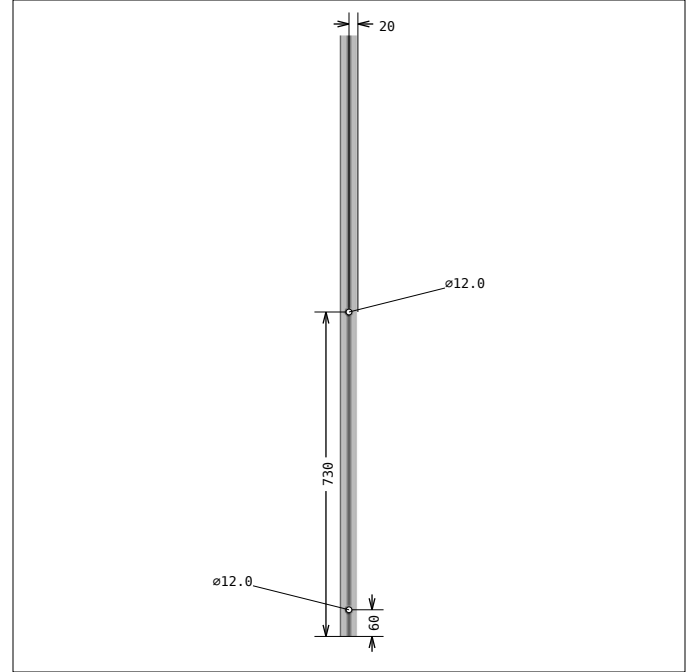
DRAWING 2, Pos 2
SIDE 4

← Profile "left end" is always at the bottom of the drawing. All dimensions are from "left".

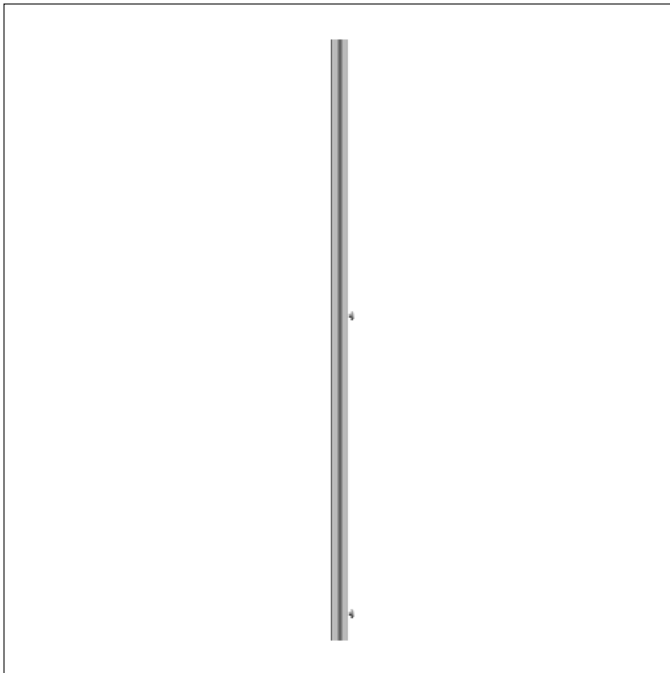
Profile machining details



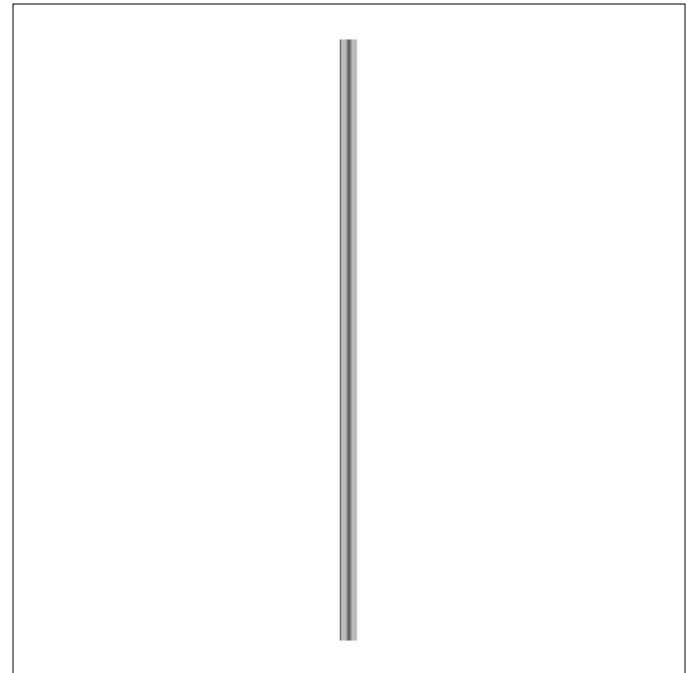
**DRAWING 3, Pos 3
SIDE 1, bar length: 1352 mm**



**DRAWING 3, Pos 3
SIDE 2**



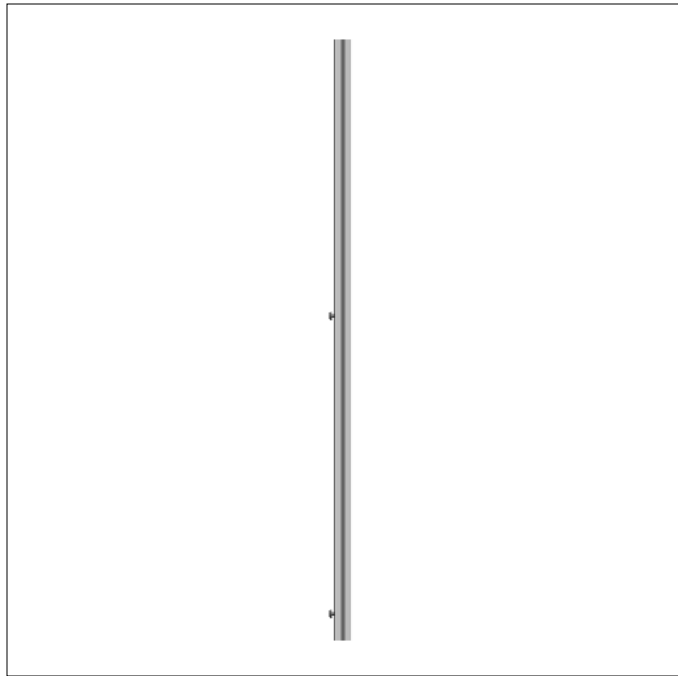
**DRAWING 3, Pos 3
SIDE 3**



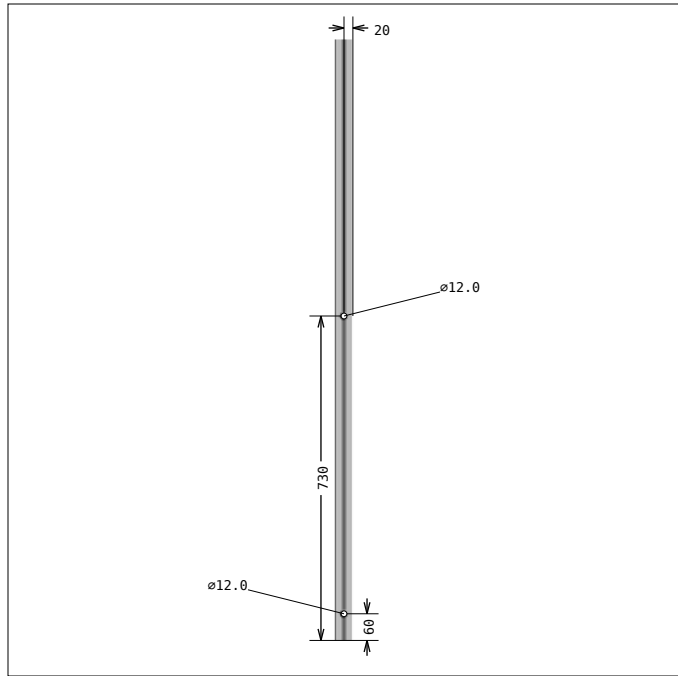
**DRAWING 3, Pos 3
SIDE 4**

← Profile "left end" is always at the bottom of the drawing. All dimensions are from "left".

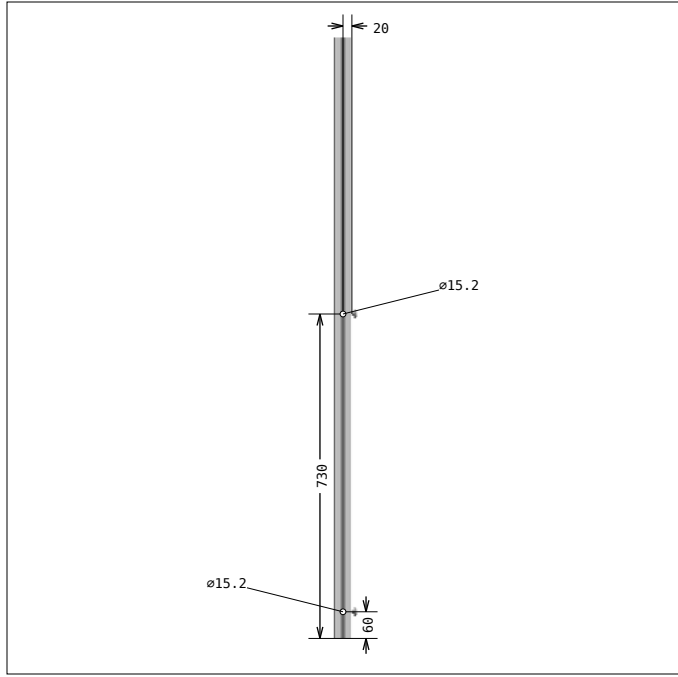
Profile machining details



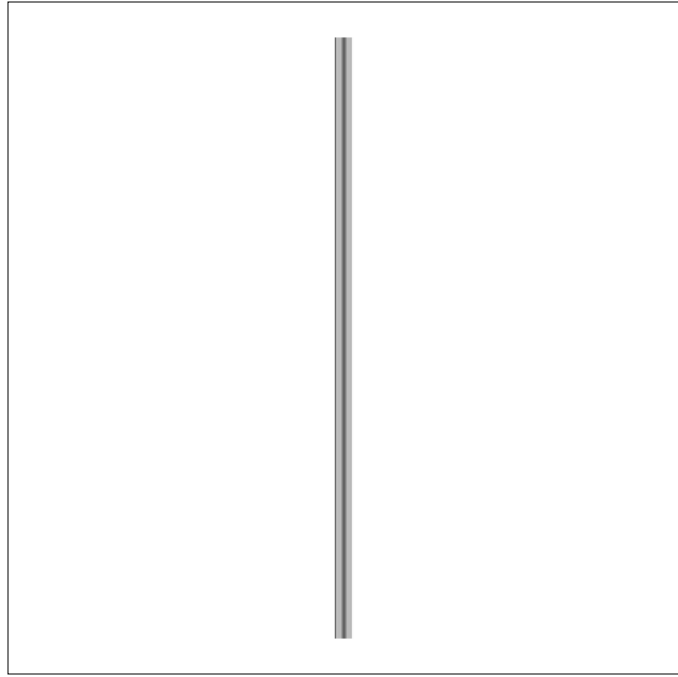
**DRAWING 4, Pos 4
SIDE 1, bar length: 1352 mm**



**DRAWING 4, Pos 4
SIDE 2**



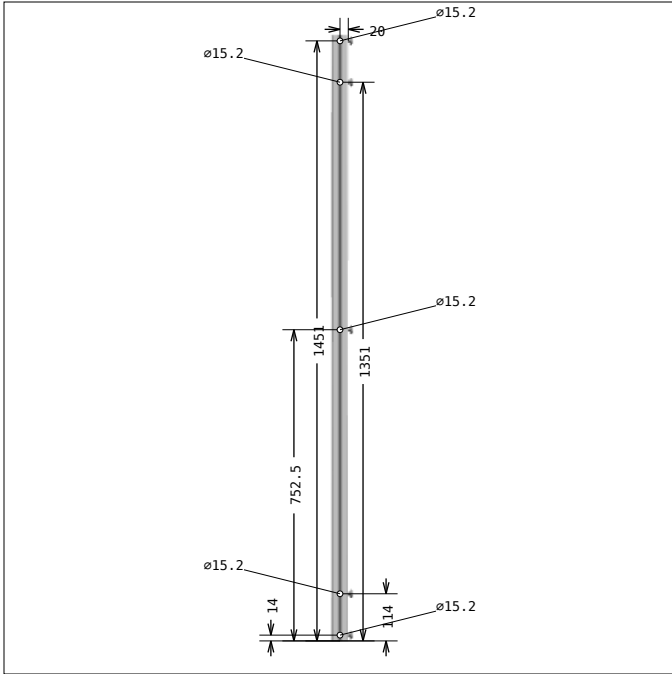
**DRAWING 4, Pos 4
SIDE 3**



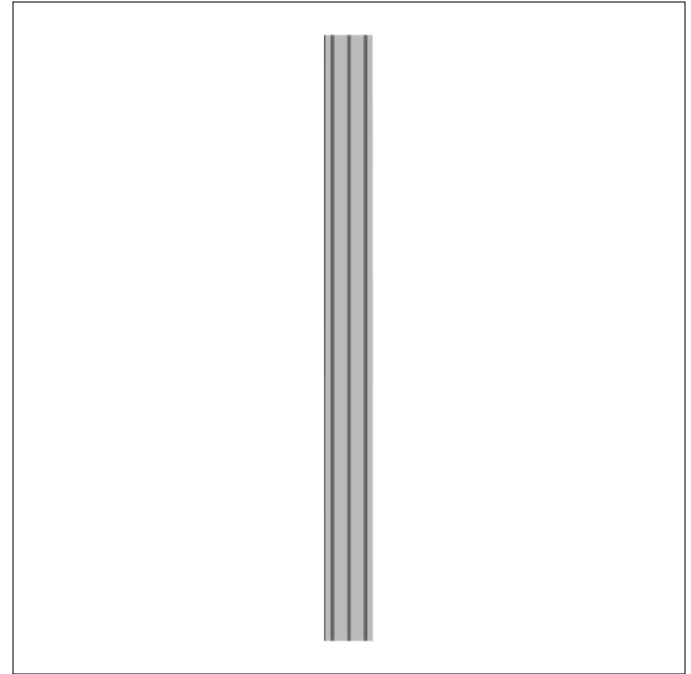
**DRAWING 4, Pos 4
SIDE 4**

← Profile "left end" is always at the bottom of the drawing. All dimensions are from "left".

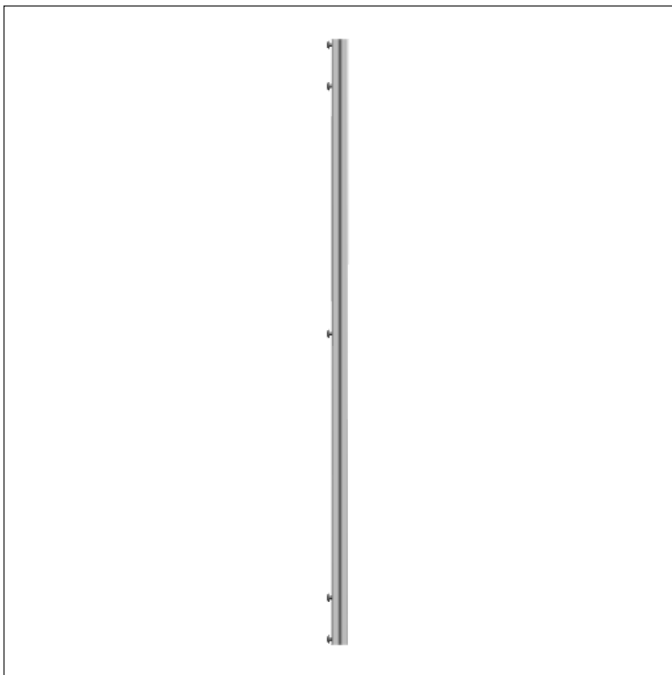
Profile machining details



DRAWING 5, Pos 12
SIDE 1, bar length: 1465 mm

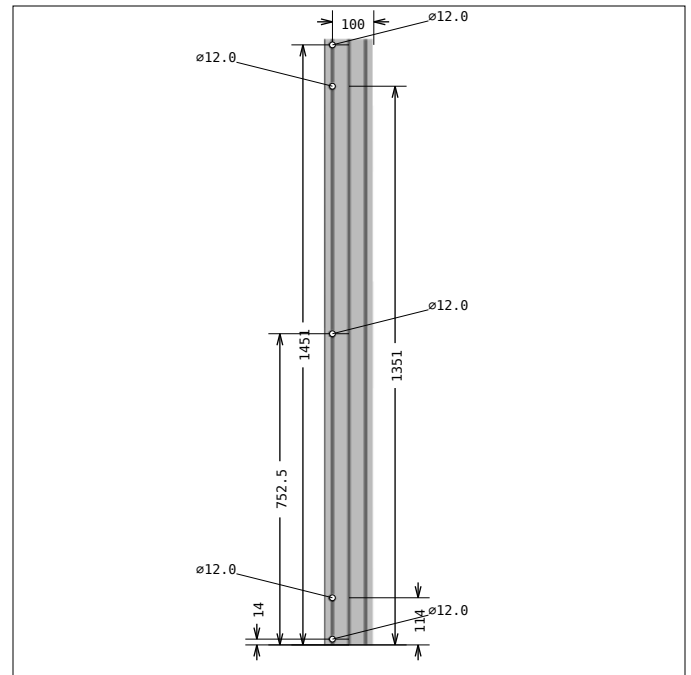


DRAWING 5, Pos 12
SIDE 2



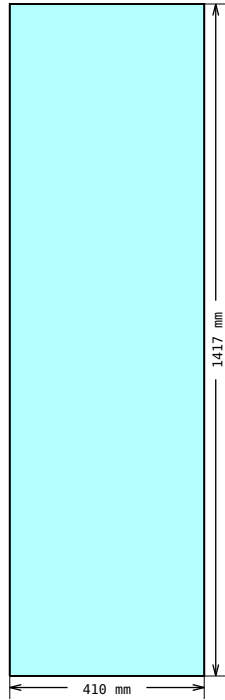
DRAWING 5, Pos 12
SIDE 3

← Profile "left end" is always at the bottom of the drawing. All dimensions are from "left".

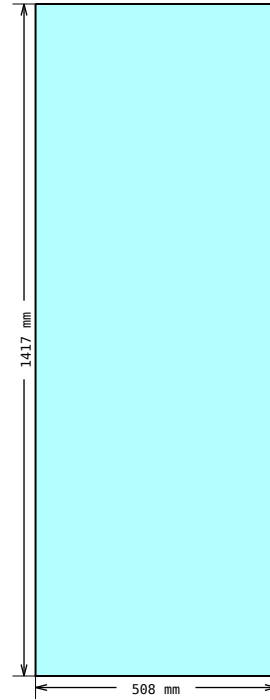


DRAWING 5, Pos 12
SIDE 4

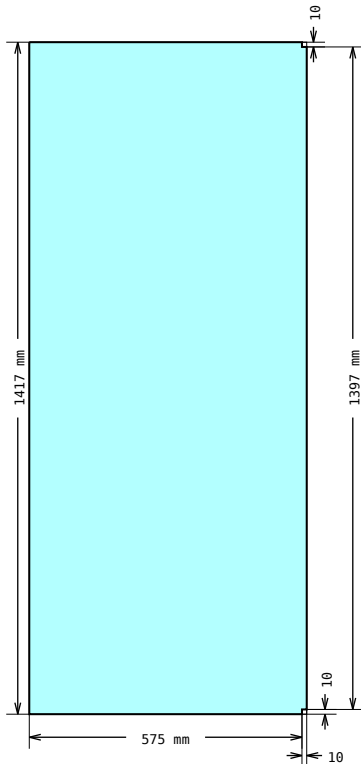
Panels



DRAWING 6, Pos 14
Shape measurements

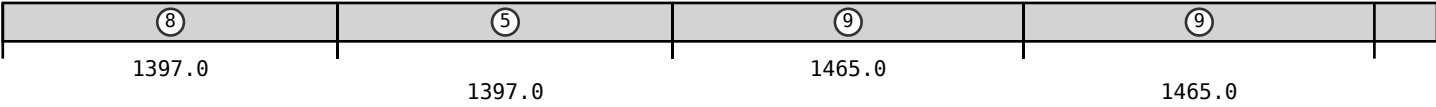
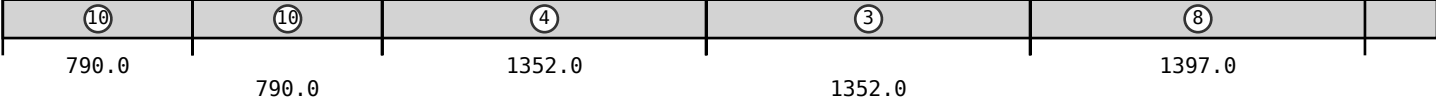
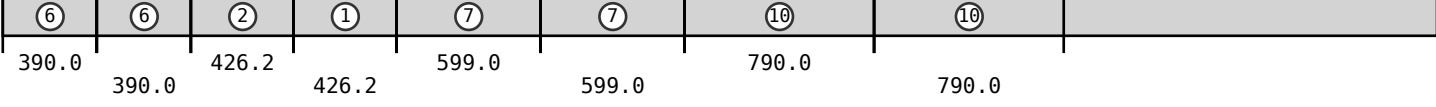

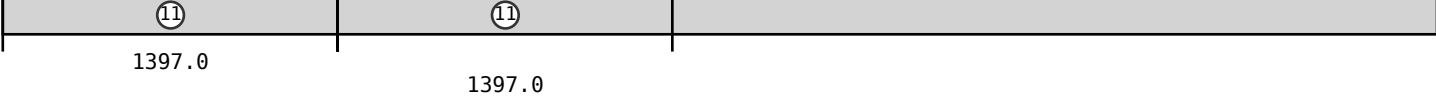


DRAWING 7, Pos 15
Shape measurements


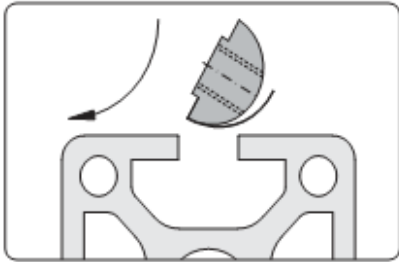
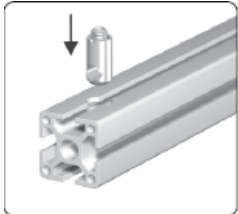
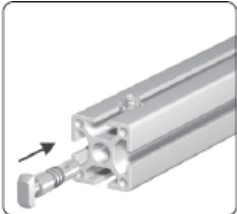
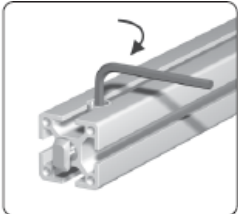
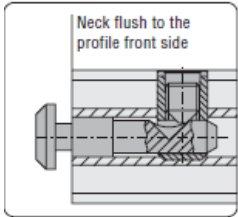


DRAWING 8, Pos 16
Shape measurements

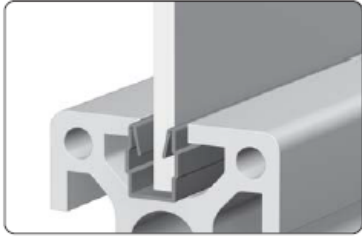
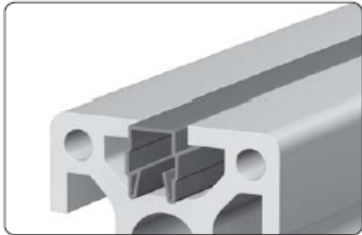


Suggested profile cuts (incl. kerf: 3.5 mm)

Article-No	Cuts	Waste (mm)
1.11.040040.43LP		262.0 mm
		301.5 mm
		1561.6 mm
1.11.040120.84LP		4531.5 mm
1.11.040080.44LBP		3199.0 mm

Assembly hints

ACCESSORY	1.32.4EM6	T-Nut for subsequent insertion, w. spring E, M6
<div data-bbox="196 443 592 701">  </div> <p data-bbox="196 705 391 730">Fixing with leaf spring</p> <div data-bbox="631 443 927 525"> <p>Application Fastening element for screw-type connections</p> </div> <div data-bbox="196 772 592 1031">  </div> <p data-bbox="196 1035 448 1060">Insert front-sided and rotate</p> <div data-bbox="631 772 950 993"> <p>Technical data Design steel: • material: steel • surface: galvanised Design stainless: • material: stainless steel 1.4305 • surface: pickled and passivated max. moment of torque: $M_{A, max}$</p> </div>		<p>These t-nuts are easily inserted into assembled frames</p>
CONNECTOR	1.21.4E0 1.21.4E5	Connector, universal Connector, parallel-square
<div data-bbox="188 1249 423 1461">  </div> <p data-bbox="188 1465 386 1491">Insert the cross bushing</p> <div data-bbox="451 1249 686 1461">  </div> <p data-bbox="451 1465 605 1491">Push in the anchor</p> <div data-bbox="714 1249 950 1461">  </div> <p data-bbox="714 1465 894 1491">Pretension the anchor</p> <div data-bbox="188 1528 423 1743">  <p data-bbox="256 1539 378 1581">Neck flush to the profile front side</p> </div> <div data-bbox="451 1528 686 1675"> <p>Comments For the optimal assembly of the profiles the connector is to be installed in such a way that the neck is flush to the profile front side</p> </div>		<p>Most MayTec connectors follow these assembly steps. Tightening torque is: 5-15 Nm for 20mm profiles, 30 Nm for 30mm group, 35 Nm for 40mm and larger profiles.</p>

Assembly hints

None	1.41.E346.1	Combination profile PP, E, 4.5 - 6, grey (bar 2.5 m)
<div data-bbox="198 441 557 674">  </div> <p data-bbox="198 678 391 701">Use as reduction profile</p> <div data-bbox="198 737 557 970">  </div> <p data-bbox="198 974 391 997">Use as slot-cover profile</p> <div data-bbox="594 436 950 512"> <p>Application Combination profiles for use as reduction or cover profiles</p> </div> <div data-bbox="594 564 795 663"> <p>Technical data bar length: 2.5 m material: PP • oil and water resistant</p> </div> <div data-bbox="594 833 734 978"> <p>Colours: grey black orange red blue green</p> </div>		<p data-bbox="1065 399 1502 453">These profiles fill the space between the panel and the walls of the T-slot.</p>
CONNECTOR	1.21.4EK1	Connector, oblique-hinge l. + r.
<div data-bbox="214 1157 521 1717">  </div> <div data-bbox="656 1209 906 1661">  </div>		<p data-bbox="1065 1115 1502 1169">This type of connector assembles similar to universal connector</p>