

# CONSTRUCTION DOCUMENTATION

Design Title : 26358M1 Turnpack  
Revision Level : base module top enclosure  
Approved by :  
Designer :  
Company :  
Address :  
E-Mail :  
Phone :  
Date : 2026-05-26



After Reviewing PDF Drawing, Sign/Date and return to Flodraulic Group when Purchase order is placed.  
Orders will not be processed without approval.

Name: \_\_\_\_\_ Date: \_\_\_\_\_

IMPORTANT: All purchases are governed by the legal contract available at [www.Flodraulicgroup.com/terms](http://www.Flodraulicgroup.com/terms) (the "Terms"). Buyer agrees that, by submitting a purchase order to Flodraulic Group Inc. or its affiliates ("Flodraulic") or receiving products and services from Flodraulic, Buyer has reviewed and agreed to the terms in the relevant quotation and Flodraulic's Terms which together form a binding contract between Flodraulic and Buyer. The Terms are incorporated herein by reference and this quotation or Flodraulic's acceptance of this order is expressly limited to, and expressly made conditional on, Buyer's acceptance of the Terms.

Acknowledged and Accepted By Buyer: Name: \_\_\_\_\_ Date: \_\_\_\_\_

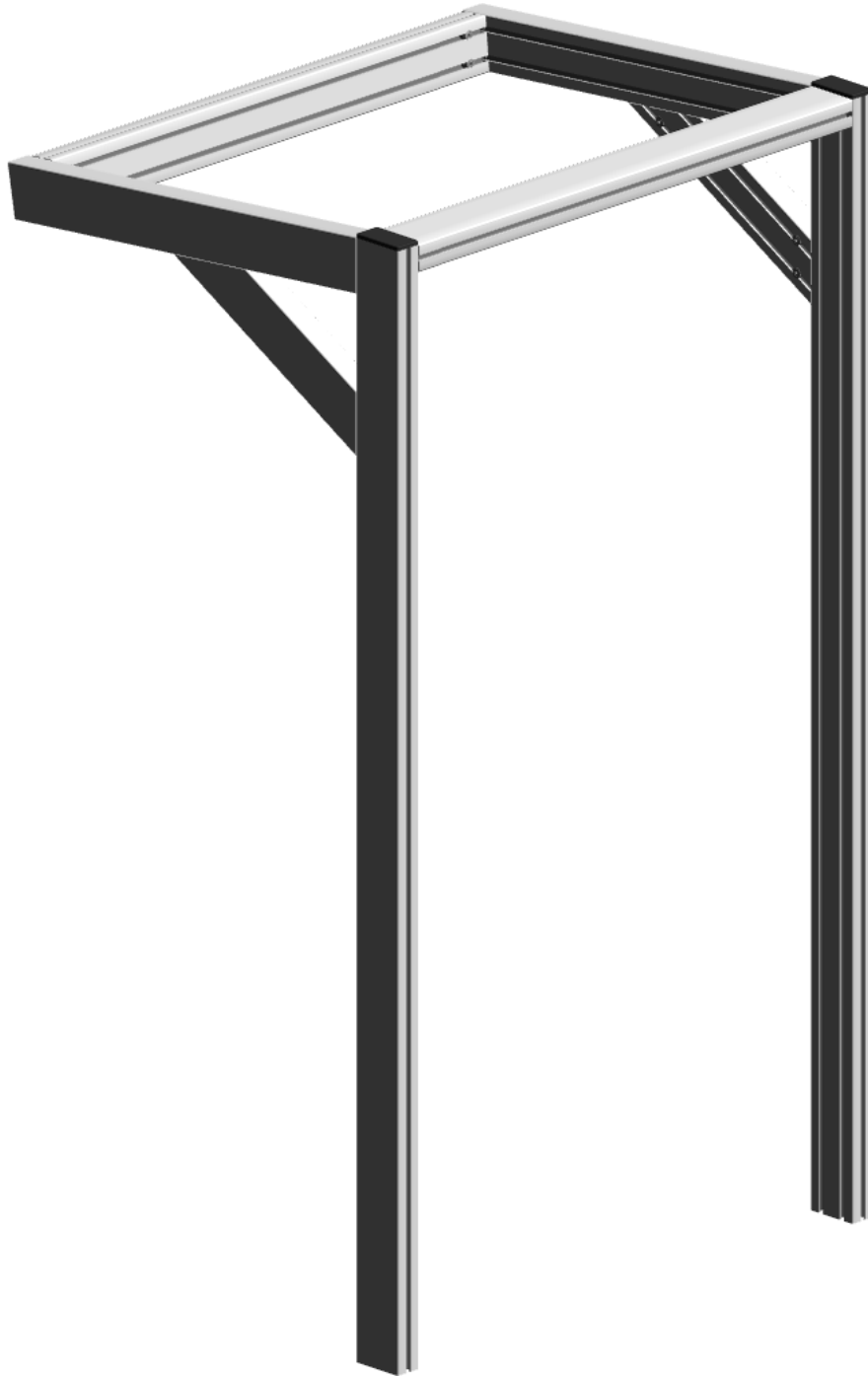
## Bill of materials (Number of kits: 1)

Pos	Article-No	Description	Units	Qty
1	1.11.040080.32LP-GB4GB4/401	Profile 40x80, 3E, corner, light, plain Special angle, Right: 30.0°; Special angle, Left: 55.0°; **PER DRAWING 1**	MM	1
2	1.11.040080.32LP-GB4GB4/401	Profile 40x80, 3E, corner, light, plain Special angle, Right: 55.0°; Special angle, Left: 30.0°; **PER DRAWING 2**	MM	1
3	1.11.040080.32LP-H00HB4/662.5	Profile 40x80, 3E, corner, light, plain Special angle, Right: 5.0°; Special angle, Left: 5.0°; **PER DRAWING 3**	MM	1
4	1.11.040080.32LP-HB4H00/662.5	Profile 40x80, 3E, corner, light, plain Special angle, Right: 5.0°; Special angle, Left: 5.0°; **PER DRAWING 4**	MM	1
5	1.11.040080.32LP-FB4FB4/823.2	Profile 40x80, 3E, corner, light, plain	MM	2
6	1.11.040080.44LP-F00F00/1600	Profile 40x80, 4E, light, plain	MM	2
7	1.42.20408.2	Cover cap 40x80, black	EA	2
8	1.21.4E0	Connector, universal	EA	8
9	1.21.4EK1	Connector, oblique-hinge l. + r.	EA	12

**Total Weight:** 18.80 kg (41.45 lbs)

## Isometric view

Some accessories may not be shown



# Multiview



**FRONT**

**LEFT**



**TOP**



**ISOMETRIC**

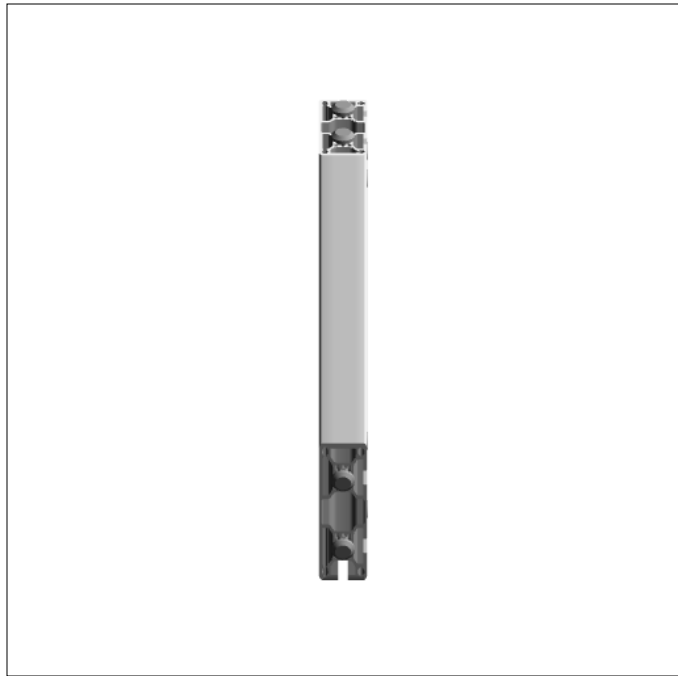
# Exploded view



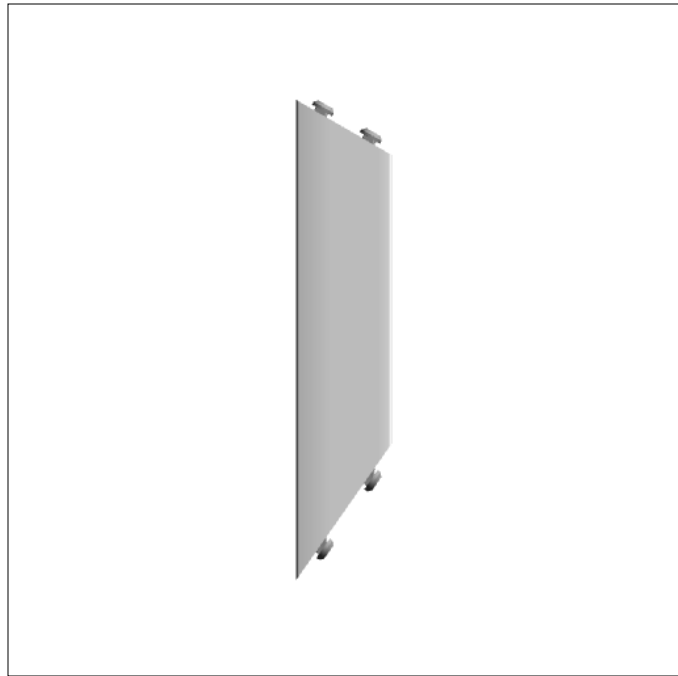
## Assembly List

Pos	Article-No	Description	Related parts	Qty
1	1.11.040080.32LP-GB4GB4/401	Profile 40x80, 3E, corner, light, plain	1.21.4EK1. Connector. oblique-hinge l. + r.	4
2	1.11.040080.32LP-GB4GB4/401	Profile 40x80, 3E, corner, light, plain	1.21.4EK1. Connector. oblique-hinge l. + r.	4
3	1.11.040080.32LP-H00HB4/662.5	Profile 40x80, 3E, corner, light, plain	1.21.4EK1. Connector. oblique-hinge l. + r.	2
4	1.11.040080.32LP-HB4H00/662.5	Profile 40x80, 3E, corner, light, plain	1.21.4EK1. Connector. oblique-hinge l. + r.	2
5	1.11.040080.32LP-FB4FB4/823.2	Profile 40x80, 3E, corner, light, plain	1.21.4E0. Connector. universal	8

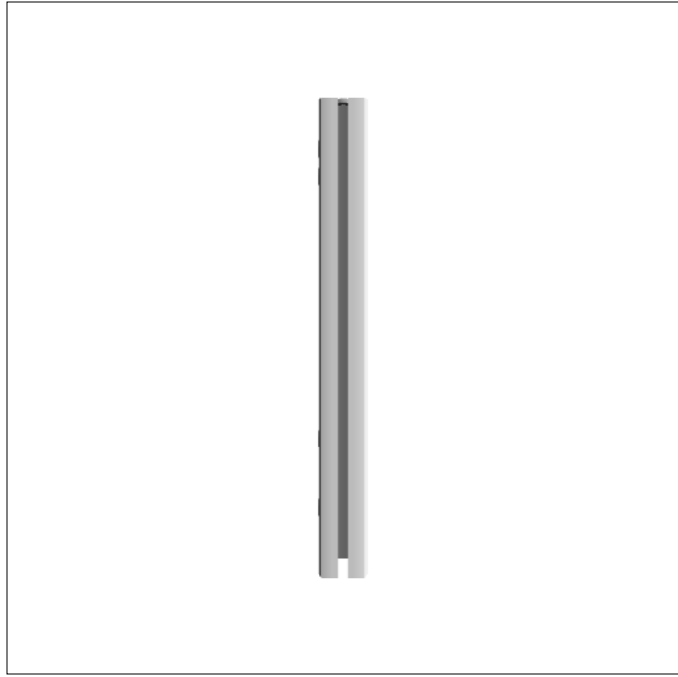
# Profile machining details



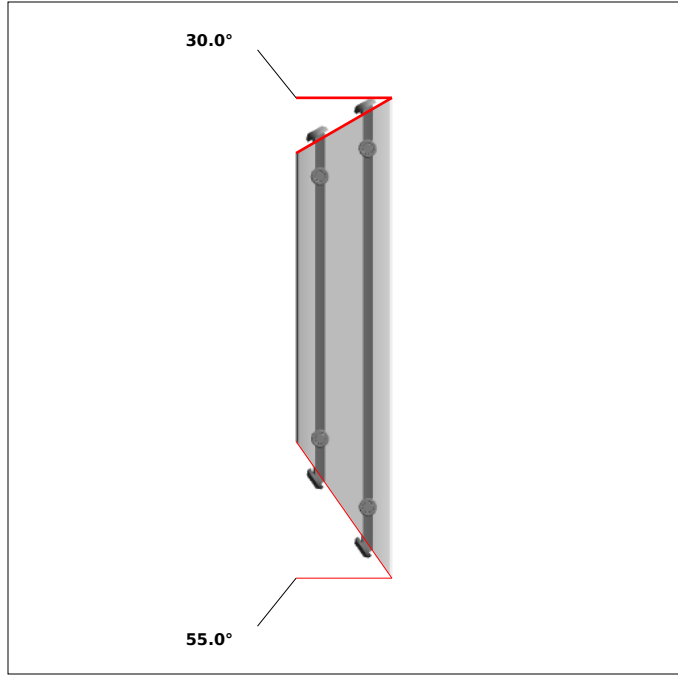
**DRAWING 1, Pos 1**  
**SIDE 1, bar length: 401 mm**



**DRAWING 1, Pos 1**  
**SIDE 2**



**DRAWING 1, Pos 1**  
**SIDE 3**



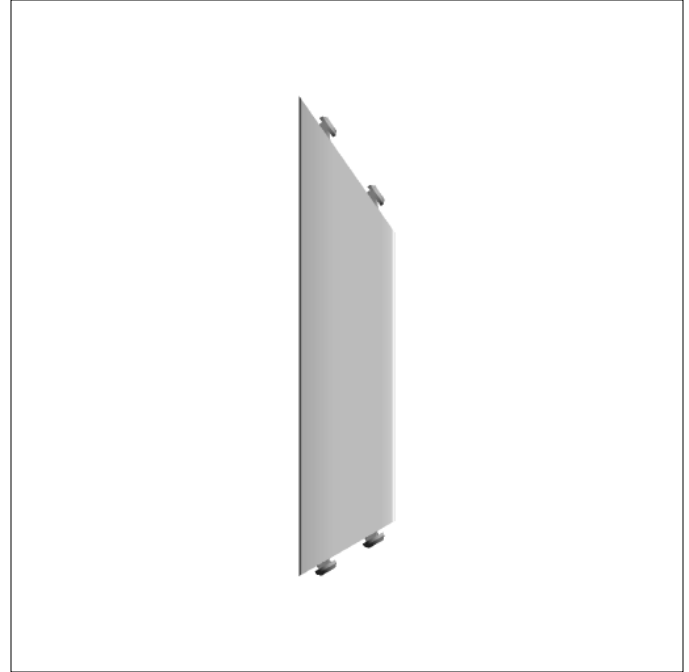
**DRAWING 1, Pos 1**  
**SIDE 4**

← Profile "left end" is always at the bottom of the drawing. All dimensions are from "left".

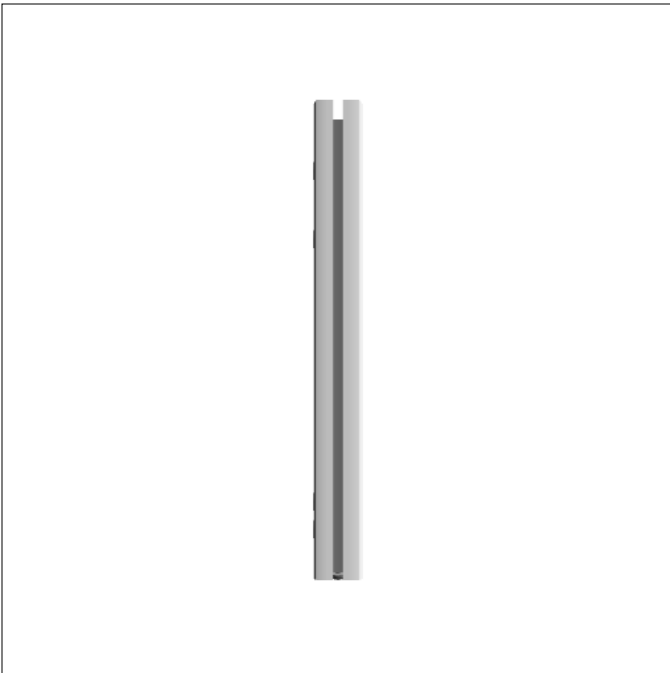
## Profile machining details



**DRAWING 2, Pos 2**  
**SIDE 1, bar length: 401 mm**

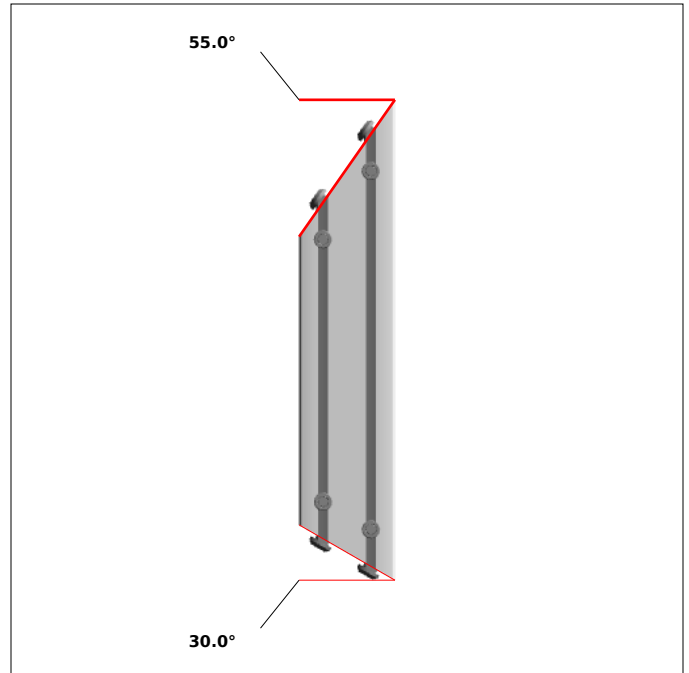


**DRAWING 2, Pos 2**  
**SIDE 2**



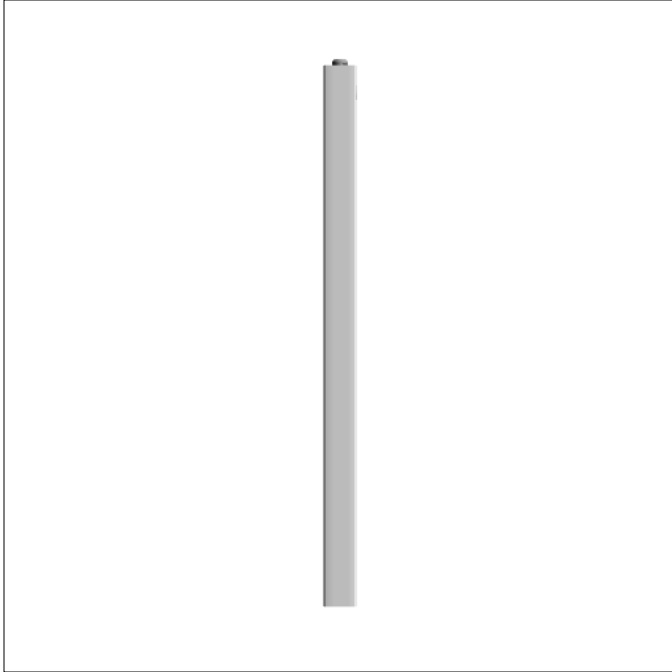
**DRAWING 2, Pos 2**  
**SIDE 3**

← Profile "left end" is always at the bottom of the drawing. All dimensions are from "left".

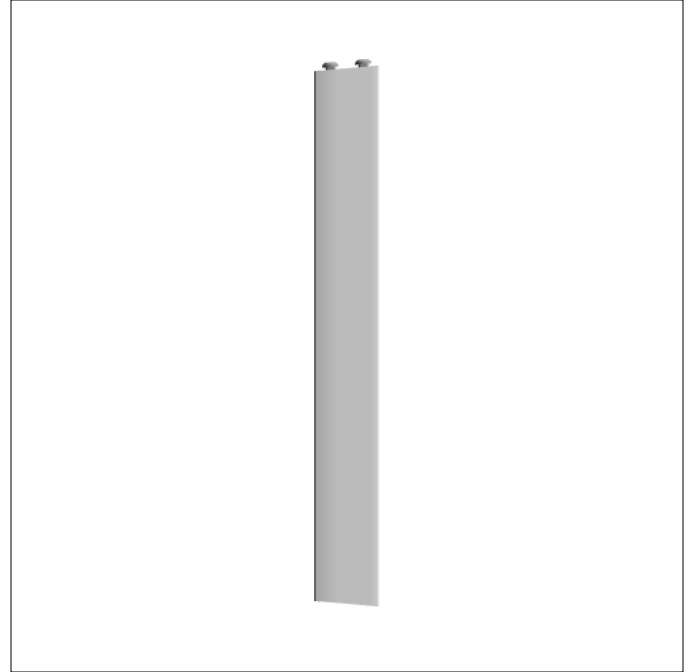


**DRAWING 2, Pos 2**  
**SIDE 4**

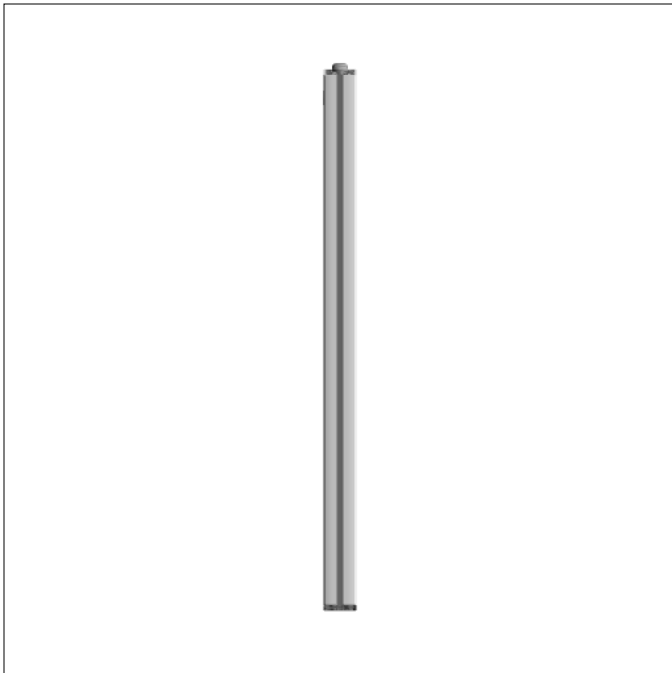
## Profile machining details



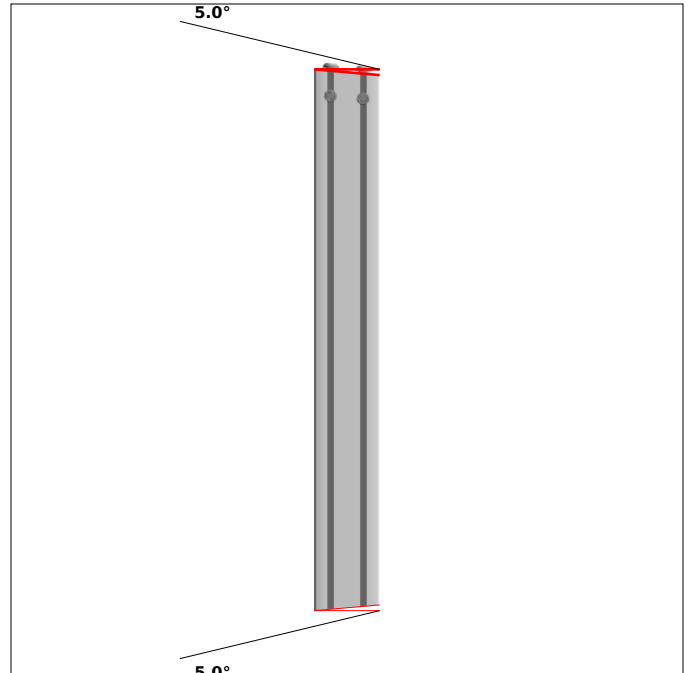
**DRAWING 3, Pos 3**  
**SIDE 1, bar length: 662.5 mm**



**DRAWING 3, Pos 3**  
**SIDE 2**



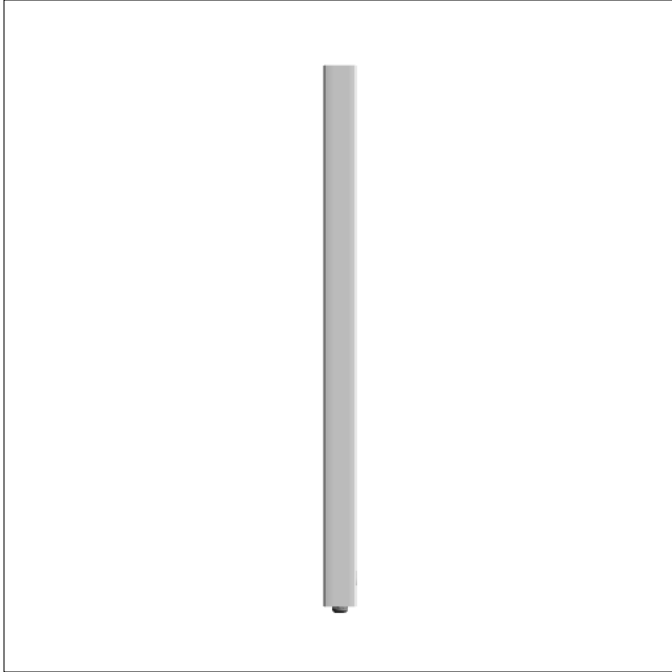
**DRAWING 3, Pos 3**  
**SIDE 3**



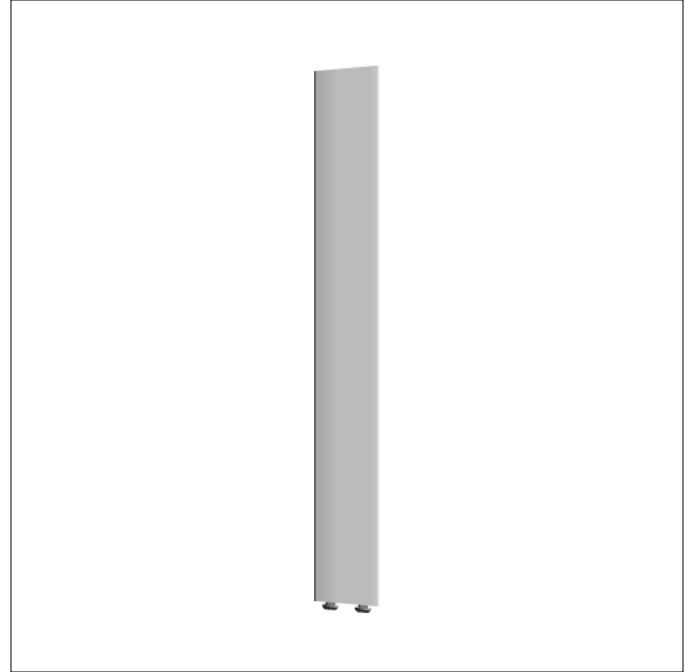
**DRAWING 3, Pos 3**  
**SIDE 4**

← Profile "left end" is always at the bottom of the drawing. All dimensions are from "left".

## Profile machining details



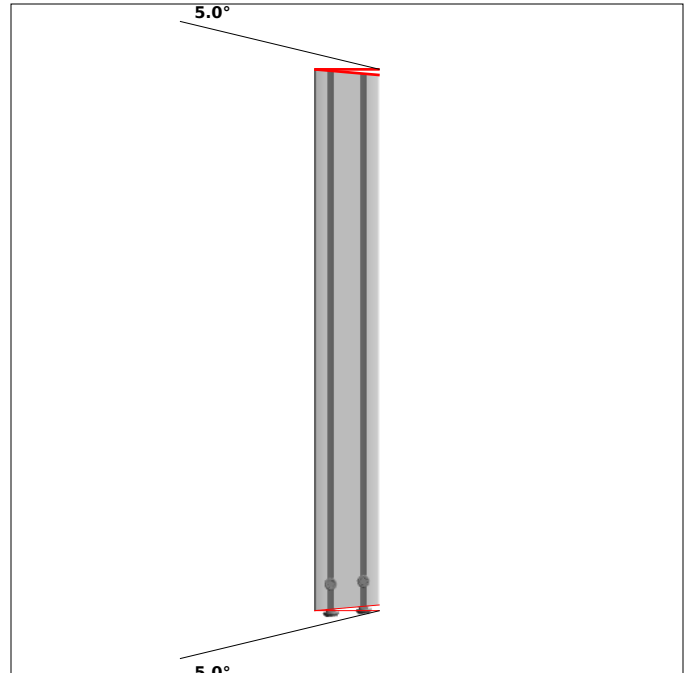
**DRAWING 4, Pos 4**  
**SIDE 1, bar length: 662.5 mm**



**DRAWING 4, Pos 4**  
**SIDE 2**




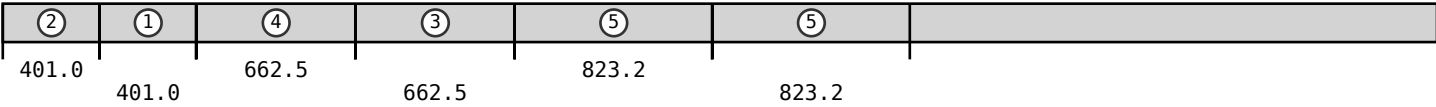
**DRAWING 4, Pos 4**  
**SIDE 3**



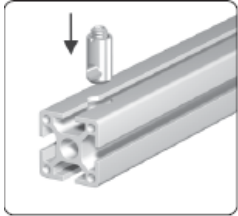
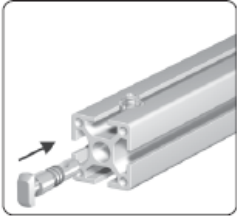
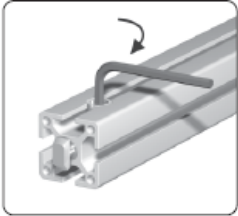
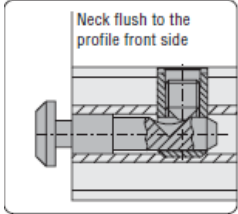
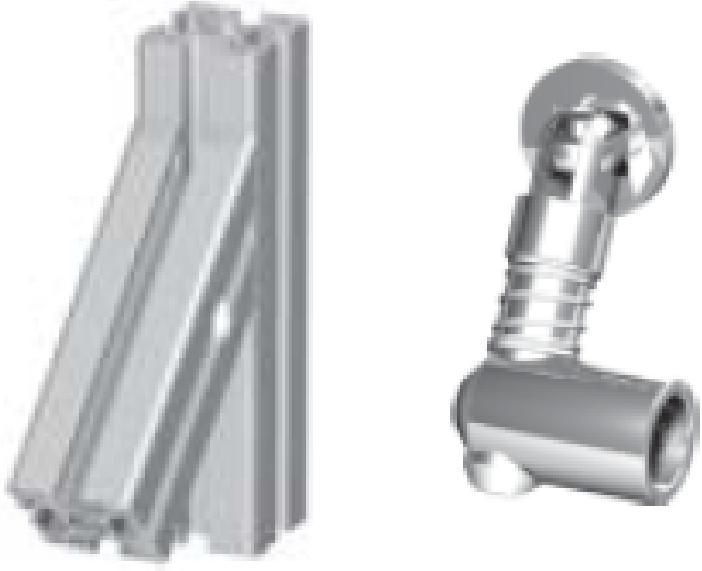
**DRAWING 4, Pos 4**  
**SIDE 4**

← Profile "left end" is always at the bottom of the drawing. All dimensions are from "left".

## Suggested profile cuts (incl. kerf: 3.5 mm)

Article-No	Cuts	Waste (mm)
1.11.040080.44LP		2793.0 mm
1.11.040080.32LP		2205.6 mm

## Assembly hints

CONNECTOR	1.21.4E0	Connector, universal
<div style="display: flex; justify-content: space-around;"> <div data-bbox="188 428 423 642">  <p>Insert the cross bushing</p> </div> <div data-bbox="451 428 686 642">  <p>Push in the anchor</p> </div> <div data-bbox="714 428 950 642">  <p>Pretension the anchor</p> </div> </div> <div data-bbox="188 709 423 921">  <p>Neck flush to the profile front side</p> </div> <div data-bbox="451 709 686 856"> <p><b>Comments</b>        For the optimal assembly of the profiles the connector is to be installed in such a way that the neck is flush to the profile front side</p> </div>		<p>Most MayTec connectors follow these assembly steps. Tightening torque is: 5-15 Nm for 20mm profiles, 30 Nm for 30mm group, 35 Nm for 40mm and larger profiles.</p>
CONNECTOR	1.21.4EK1	Connector, oblique-hinge l. + r.
		<p>This type of connector assembles similar to universal connector</p>