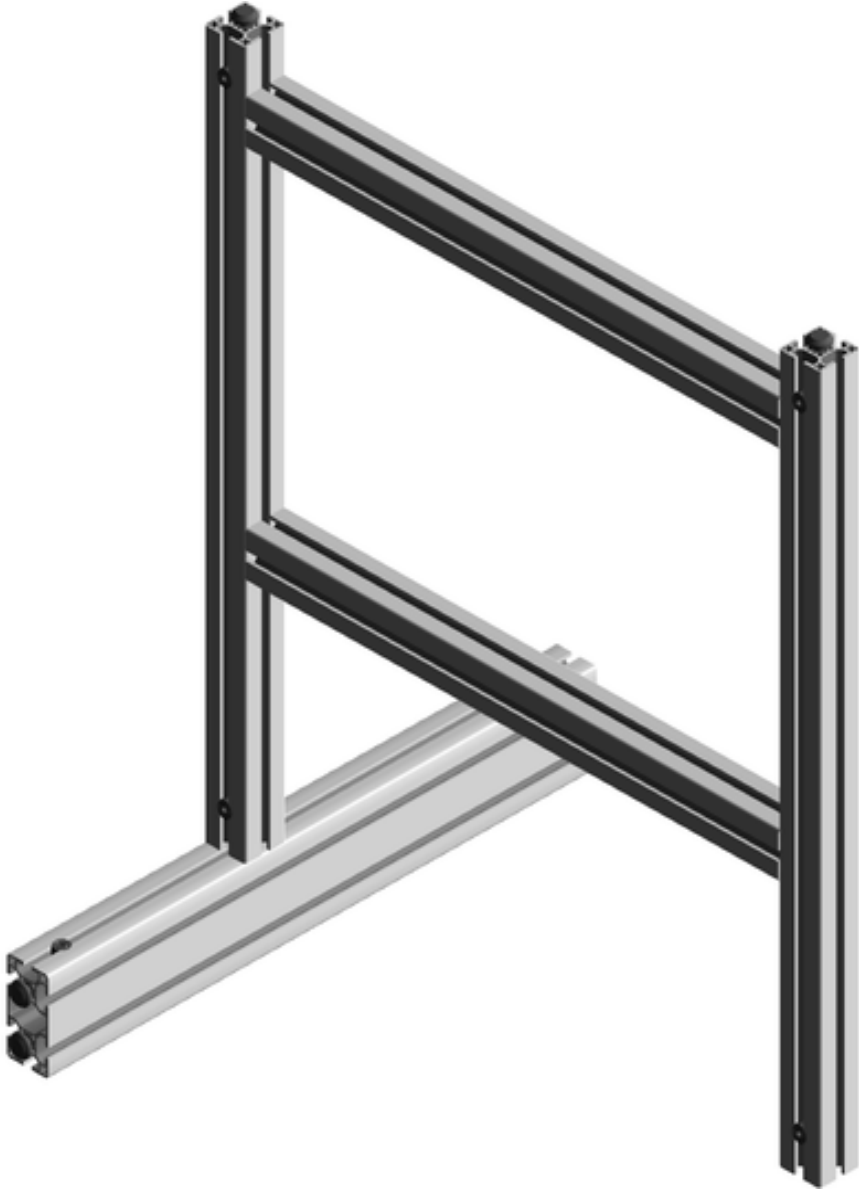


# CONSTRUCTION DOCUMENTATION

Design Title : 26398M1 Turnpack  
Revision Level : Side Module V2 Electrical Panel  
Approved by :  
Designer :  
Company :  
Address :  
E-Mail :  
Phone :  
Date : 2026-06-04



After Reviewing PDF Drawing, Sign/Date and return to Flodraulic Group when Purchase order is placed.  
Orders will not be processed without approval.

Name: \_\_\_\_\_ Date: \_\_\_\_\_

IMPORTANT: All purchases are governed by the legal contract available at [www.Flodraulicgroup.com/terms](http://www.Flodraulicgroup.com/terms) (the "Terms"). Buyer agrees that, by submitting a purchase order to Flodraulic Group Inc. or its affiliates ("Flodraulic") or receiving products and services from Flodraulic, Buyer has reviewed and agreed to the terms in the relevant quotation and Flodraulic's Terms which together form a binding contract between Flodraulic and Buyer. The Terms are incorporated herein by reference and this quotation or Flodraulic's acceptance of this order is expressly limited to, and expressly made conditional on, Buyer's acceptance of the Terms.

Acknowledged and Accepted By Buyer: Name: \_\_\_\_\_ Date: \_\_\_\_\_

## Bill of materials (Number of kits: 1)

Pos	Article-No	Description	Units	Qty
1	1.11.040040.43LP-AA4AA4/515	Profile 40x40, 4E, light, plain	MM	2
2	1.11.040040.43LP-AA4AA4/629	Profile 40x40, 4E, light, plain	MM	2
3	1.11.040080.64LP-FB1FB1/529.6	Profile 40x80, 6E, light, plain	MM	1
4	1.21.4E0	Connector, universal	EA	12

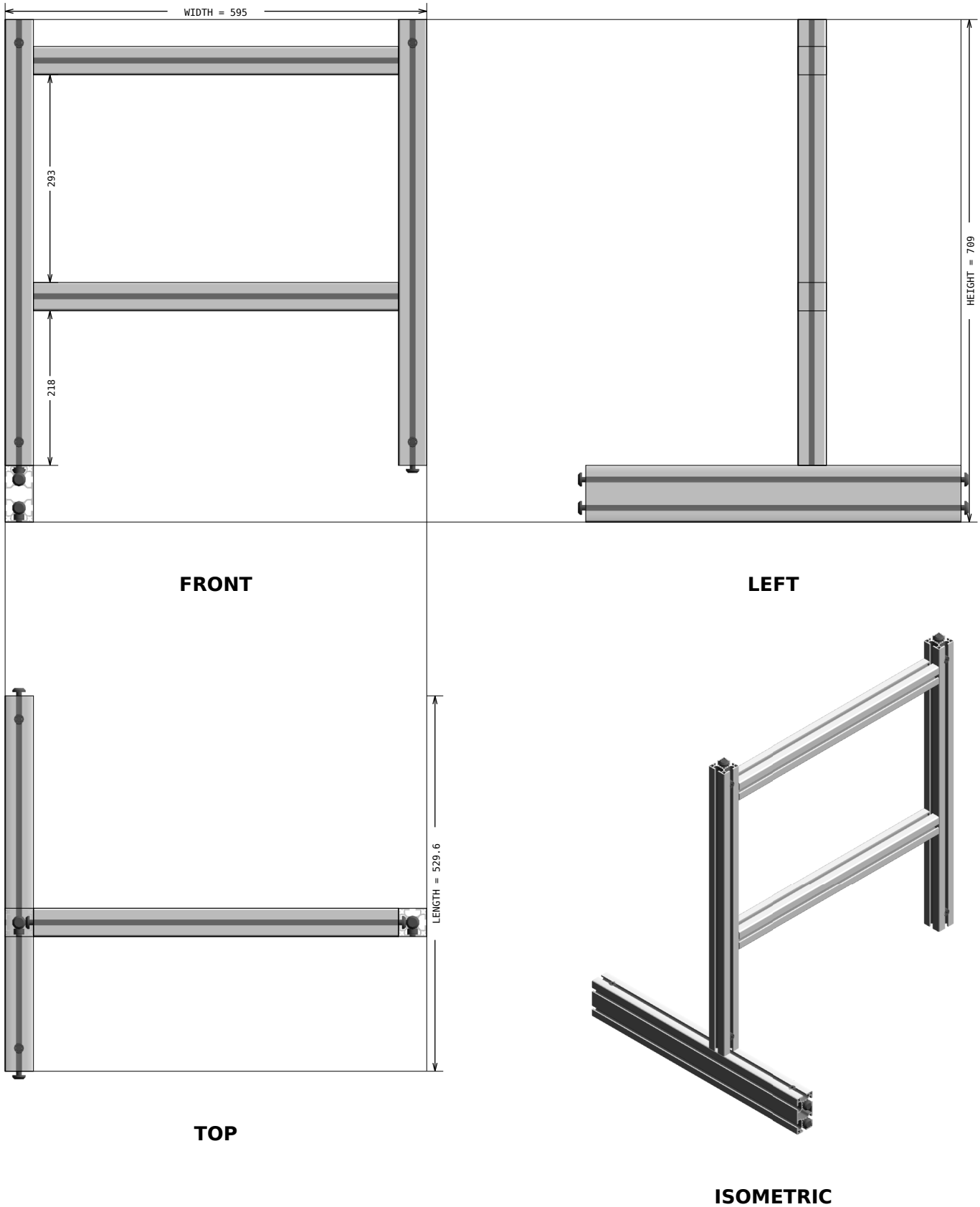
**Total Weight:** 5.00 kg (11.01 lbs)

## Isometric view

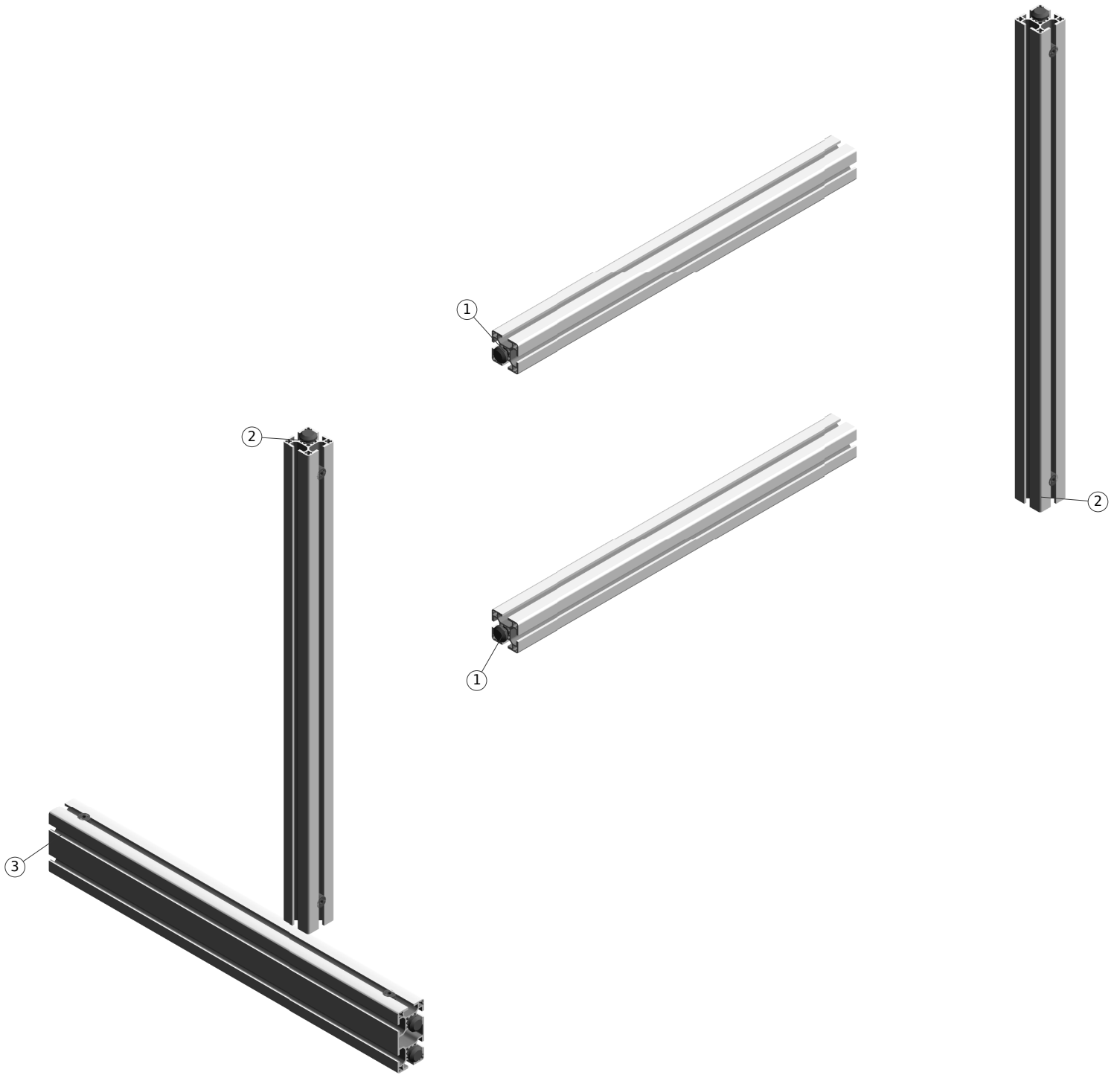
Some accessories may not be shown



# Multiview



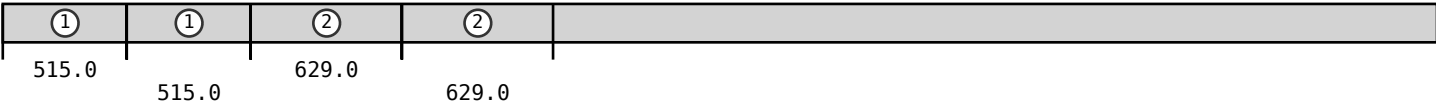
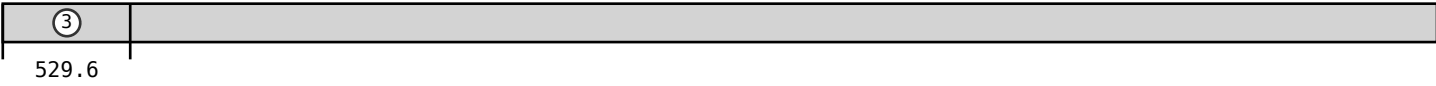
# Exploded view



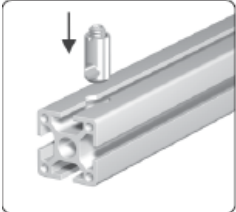
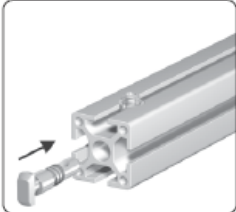
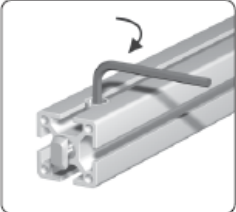
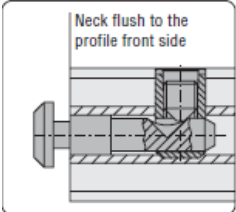
# Assembly List

Pos	Article-No	Description	Related parts	Qty
1	1.11.040040.43LP-AA4AA4/515	Profile 40x40, 4E, light, plain	1.21.4E0. Connector. universal	4
2	1.11.040040.43LP-AA4AA4/629	Profile 40x40, 4E, light, plain	1.21.4E0. Connector. universal	4
3	1.11.040080.64LP-FB1FB1/529.6	Profile 40x80, 6E, light, plain	1.21.4E0. Connector. universal	4

## Suggested profile cuts (incl. kerf: 3.5 mm)

Article-No	Cuts	Waste (mm)
1.11.040040.43LP		3698.0 mm
1.11.040080.64LP		5466.9 mm

## Assembly hints

CONNECTOR	1.21.4E0	Connector, universal
 <p>Insert the cross bushing</p>	 <p>Push in the anchor</p>  <p>Pretension the anchor</p>  <p>Neck flush to the profile front side</p> <p><b>Comments</b> For the optimal assembly of the profiles the connector is to be installed in such a way that the neck is flush to the profile front side</p>	<p>Most MayTec connectors follow these assembly steps. Tightening torque is: 5-15 Nm for 20mm profiles, 30 Nm for 30mm group, 35 Nm for 40mm and larger profiles.</p>