

# Turnpack

EFFICIENCY REDEFINED THROUGH AUTOMATION

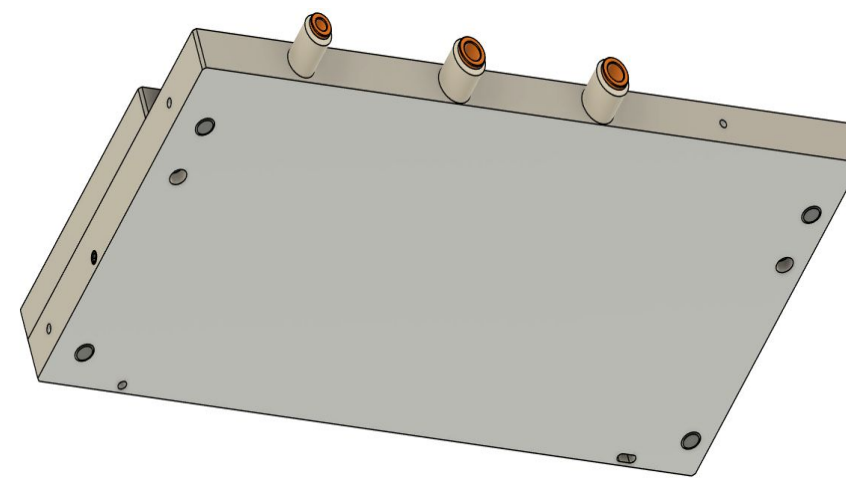
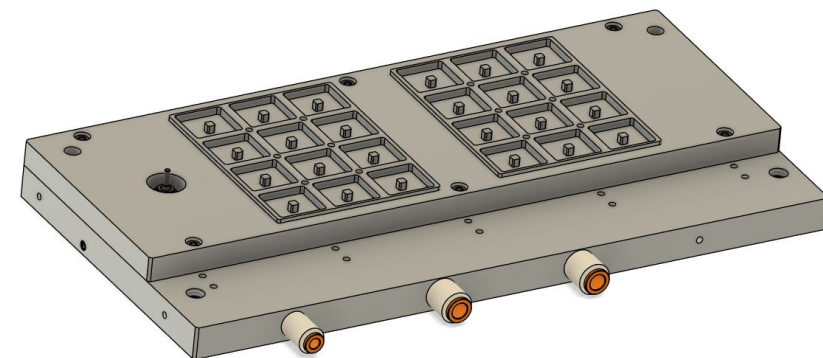
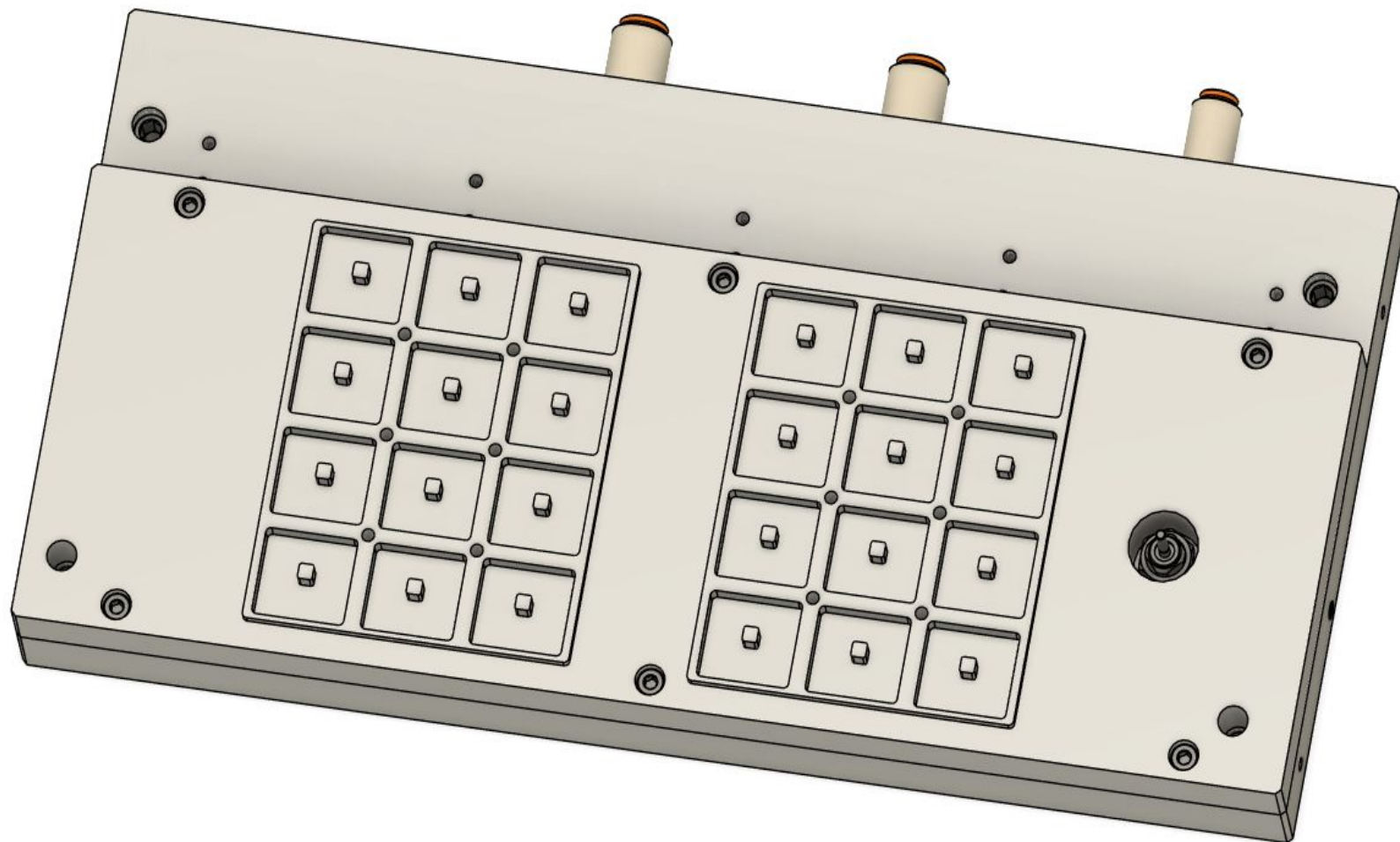
# Teledyne Flir - Main and IO Axis Bonding Inserts

Customer: Matteo Vega

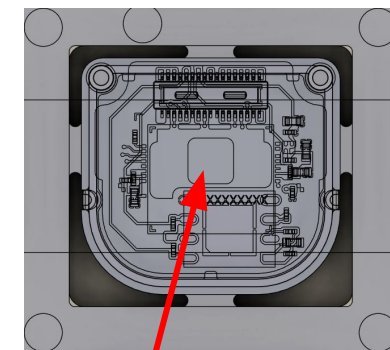
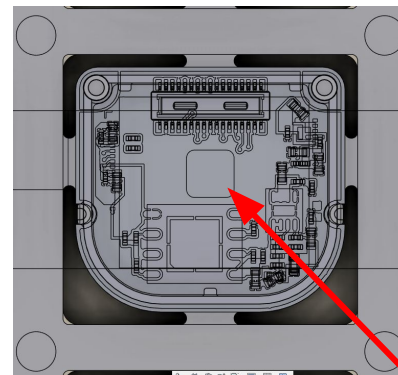
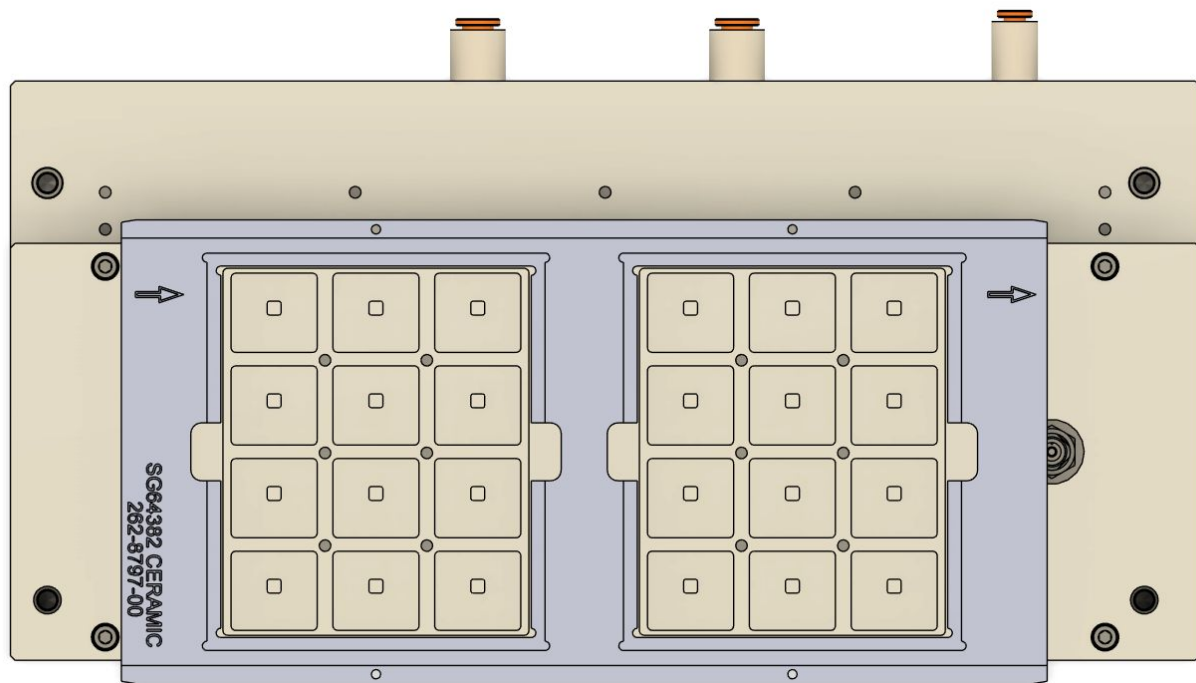
Date: 12/2/24



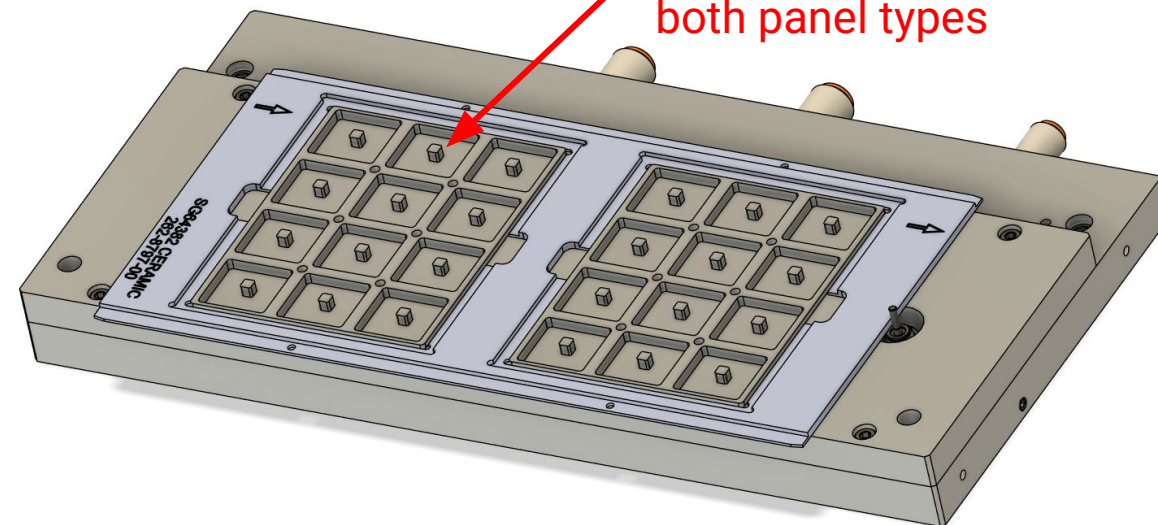
# Main Axis Full Assembly Overview



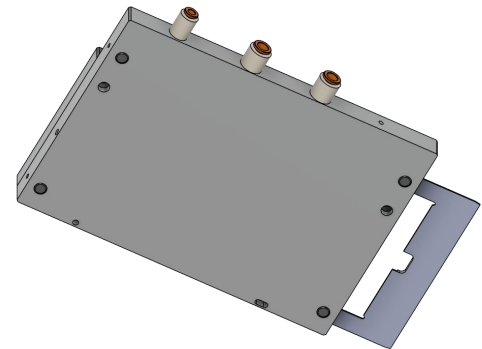
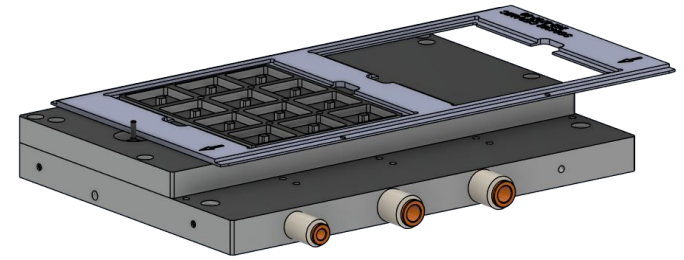
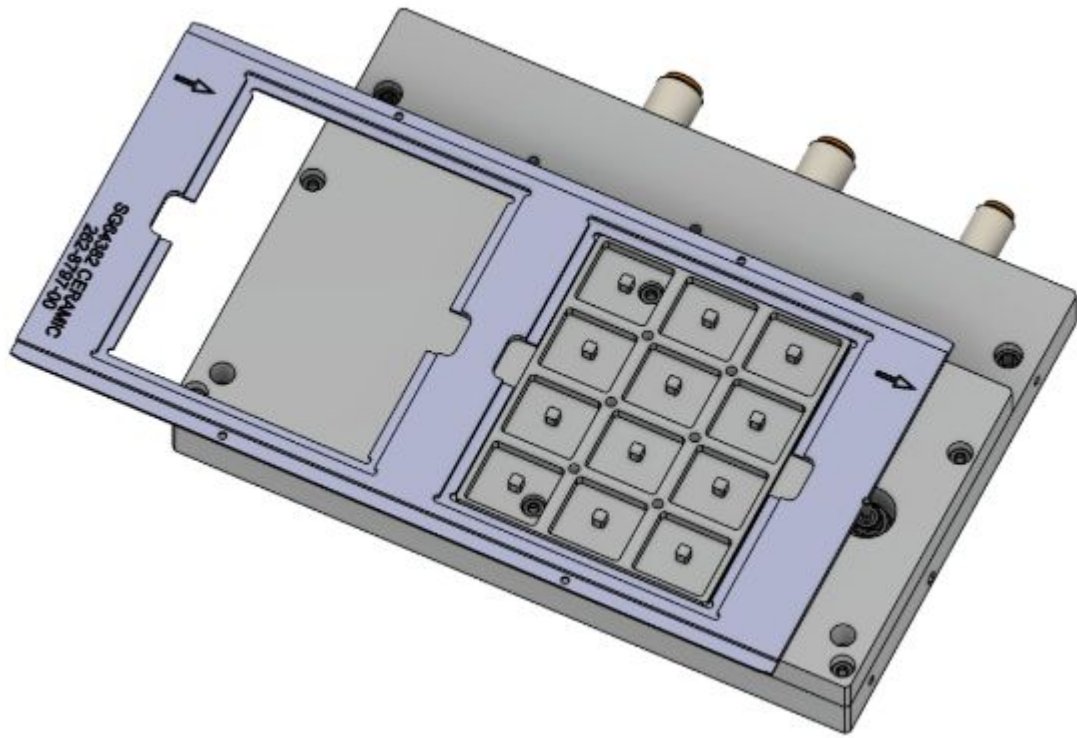
# Main Axis Full Assembly with Carrier



Support pedestal at each site. Works with both panel types



# 1D Axis Full Assembly Overview



# 10 Axis Full Assembly with Carrier

